

VACON[®] NX
AC DRIVES

DOOR KEYPAD MOUNTING INSTRUCTIONS

DRIVE CENTRE 
Industrial Automation Systems Integrators

57 Galaxy Blvd., Units 1 & 2, Toronto, ON M9W 5P1
TEL: (416) 231-6767
www.drivecentre.ca

VACON[®]
DRIVEN BY DRIVES

DOOR KEYPAD – MOUNTING INSTRUCTIONS

The Door Keypad is used for standard control keypad purposes and it is installed on the door of a switchgear cabinet.

For the installation, you need the following parts (see the picture below):

- a) Door Keypad **(1)**
- b) 8 screws [M4x8] attached to the door keypad kit. **(2)**
- c) 8 washers [4mm] **(2)**
- d) Connection cable [Vacon] **(3)**
- e) Tools to make the opening for the keypad and holes for the screws in the cabinet door

MAKE SURE THAT YOU HAVE RECEIVED ALL NECESSARY PARTS!

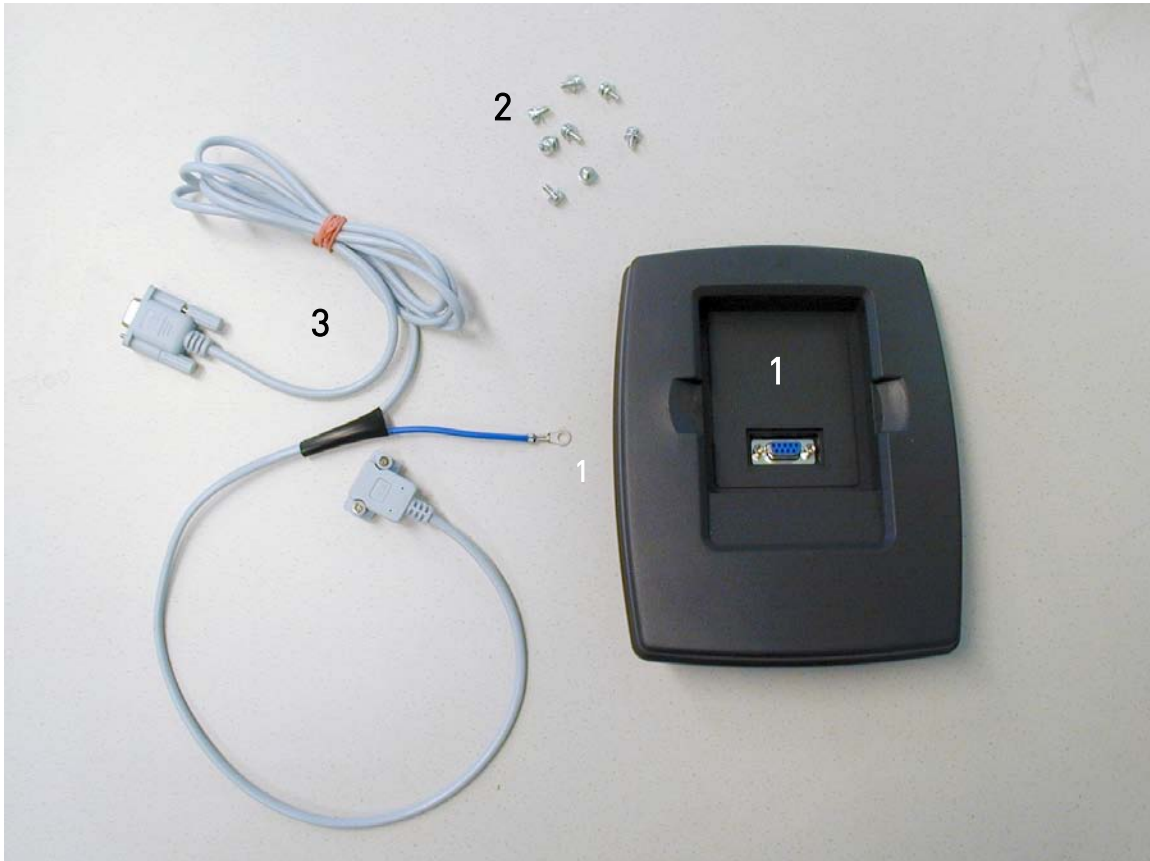


Figure 1. Parts of Vacon NX Door Keypad

1. MOUNTING PROCEDURE:

1. Make an opening in the cabinet door for the control keypad using the keypad dimensions (real scale) in Appendix 1. The dimensions of the opening shall be 144 (± 3) mm x 115 (± 3) mm.
2. Make also the holes for the screws [M4x8] using the real scale dimensions of Appendix 1.
3. Place the control keypad (1) in the opening so that the screw holes you made in the cabinet door meet the bushings on the backside of the control keypad.
4. Fix the control keypad on the cabinet door by tightening the screws (2). Don't forget to place the washers (3) between the door and the screws. The tightening torque is 1.5 Nm.
5. Connect the Vacon cable (4) to the terminal of the control keypad, see Figures 2 and 3 below
6. Attach the earthing cable, see the Figures below.
7. Make a sufficiently wide opening for the earthing cable by cutting the grid of the cable cover as wide as necessary in **FR8**. Attach the cable cover. See Figure 4 below.
8. Vacon NX Door Keypad is now ready to use.

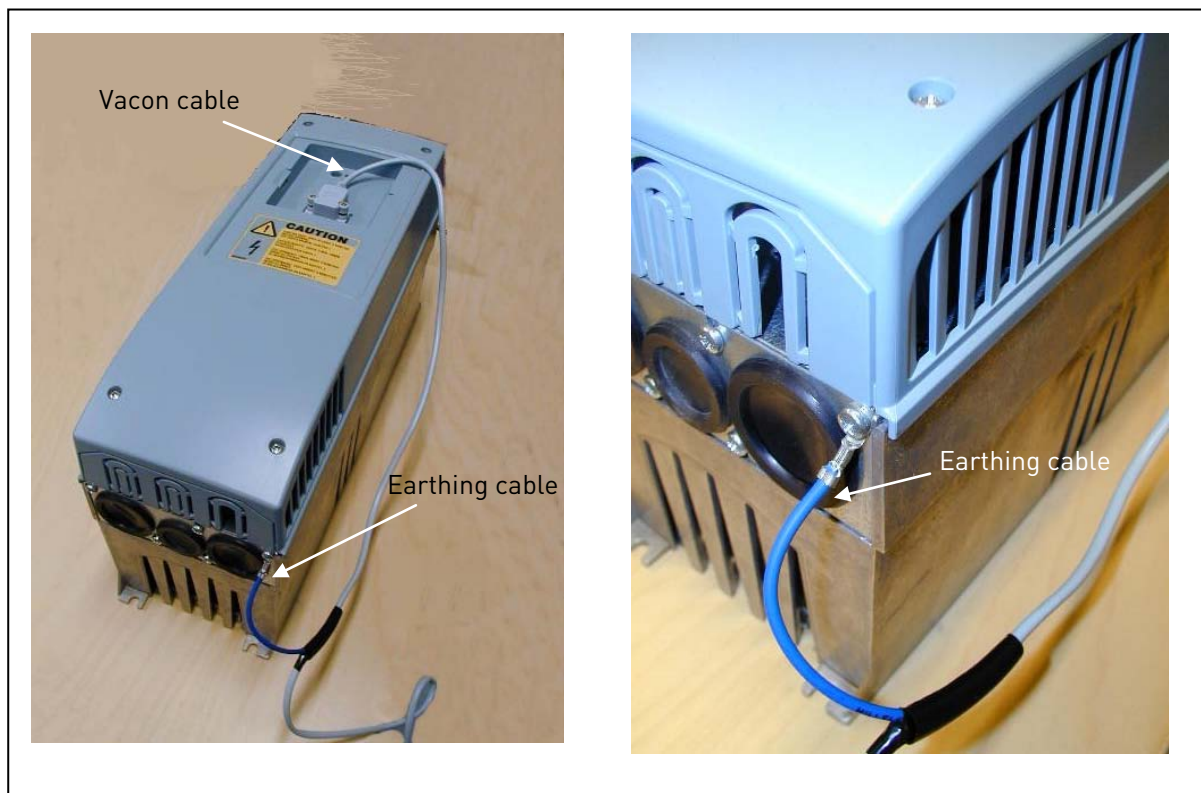


Figure 2. Connection of Vacon cable and the earthing cable, FR4 – FR7

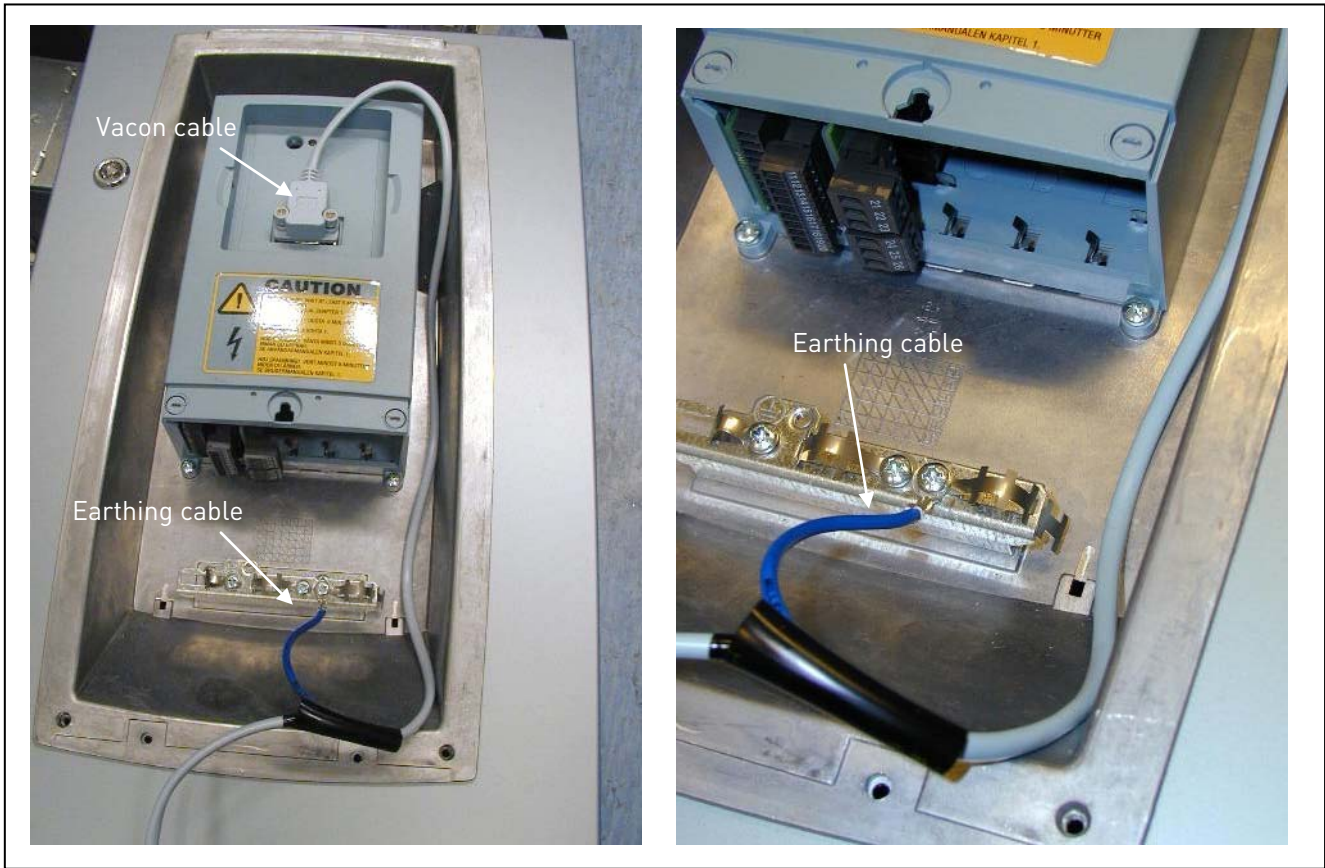
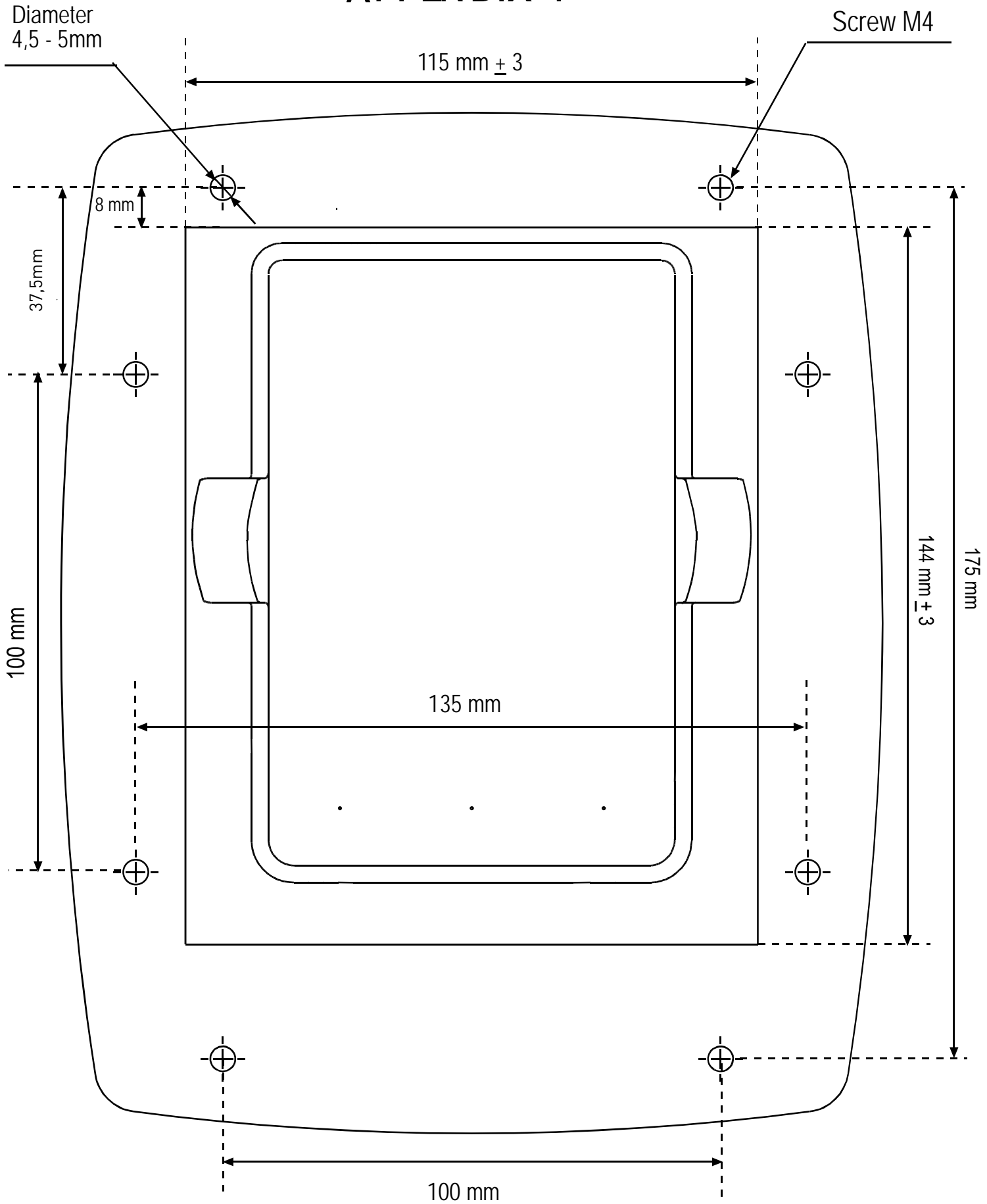


Figure 3. Connection of Vacon cable and the earthing cable, FR8

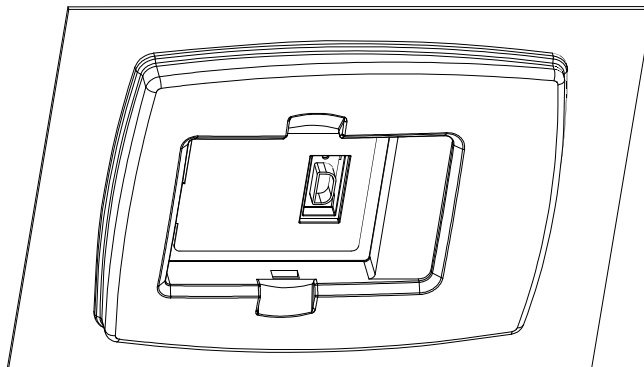
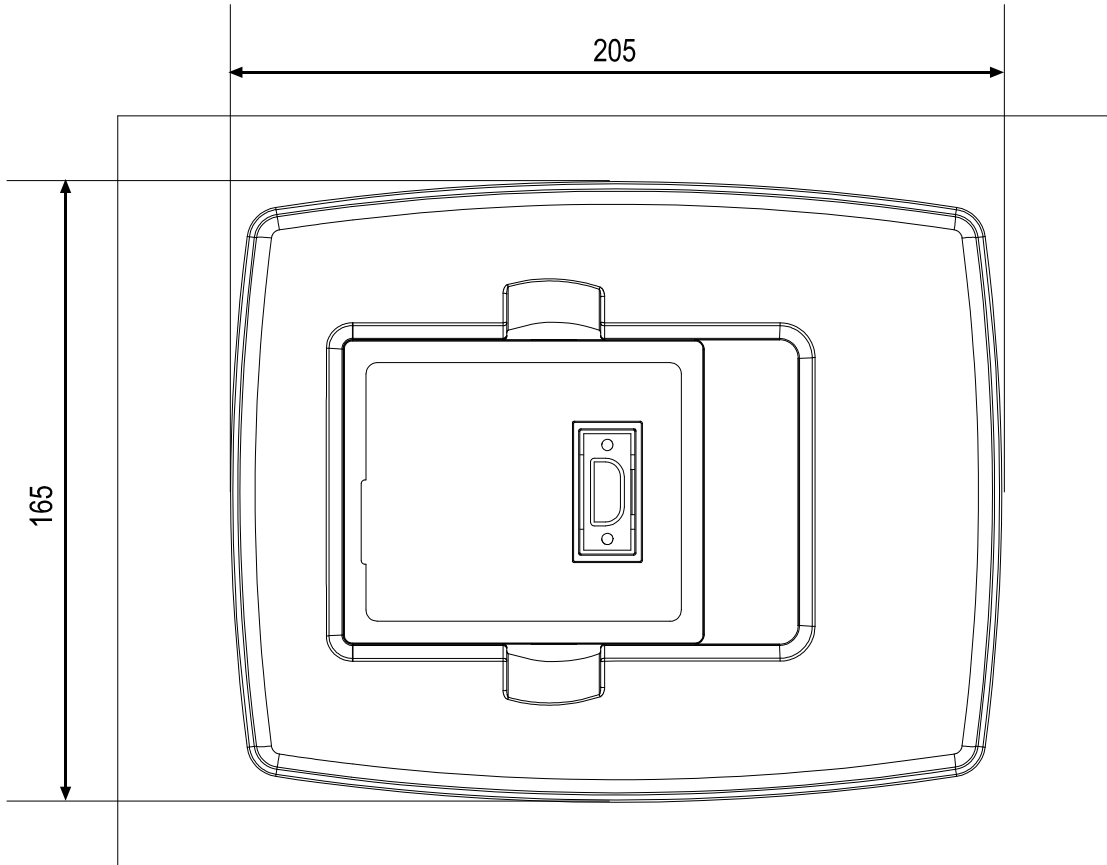
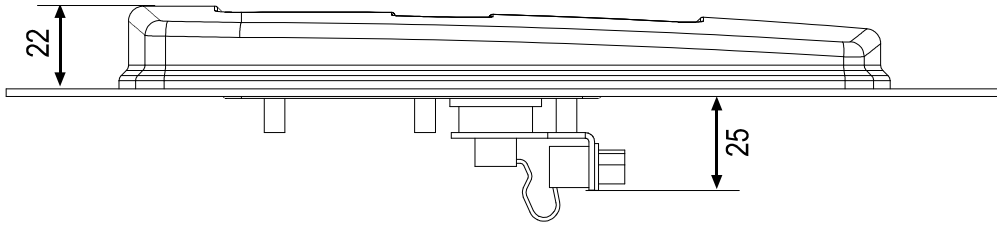


Figure 4. Attach the cable cover after connecting the earthing cable, FR8

APPENDIX 1



APPENDIX 2



VACON[®]

DRIVEN BY DRIVES

Find your nearest Vacon office
on the Internet at:

www.vacon.com

Manual authoring:
documentation@vacon.com

Vacon Plc.
Runsorintie 7
65380 Vaasa
Finland

Subject to change without prior notice
© 2014 Vacon Plc.

Document ID:



Rev. A