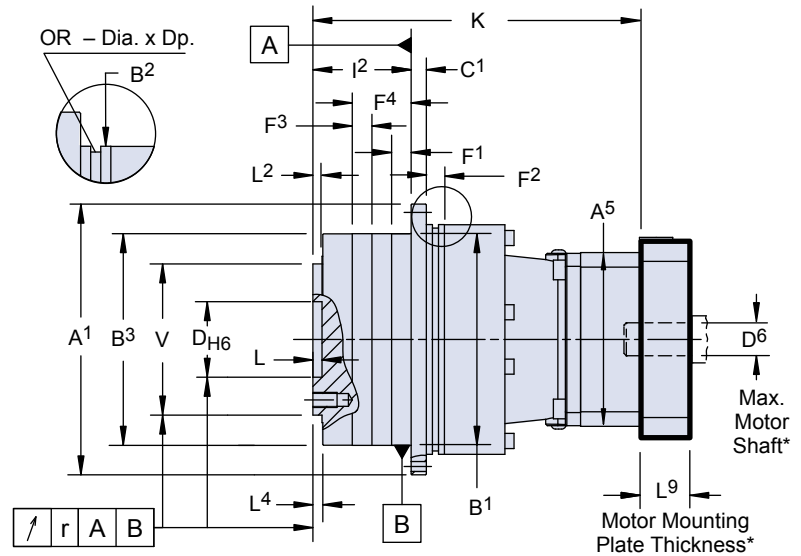
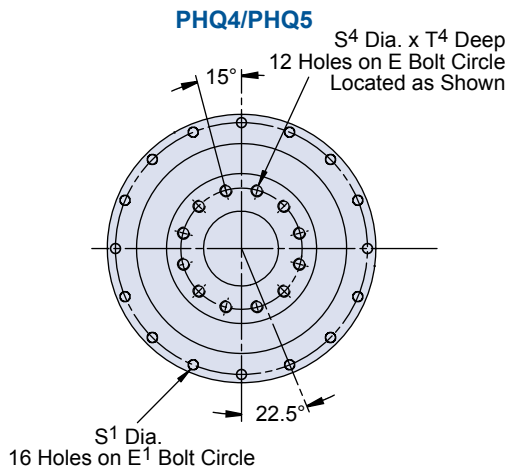


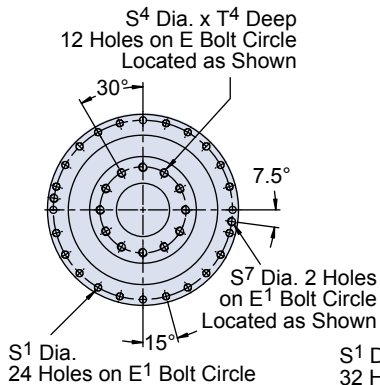
PHQ Series: INLINE – Flange Output

Standard Input

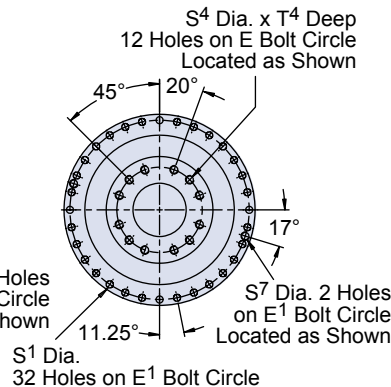


OUTPUT SIDE

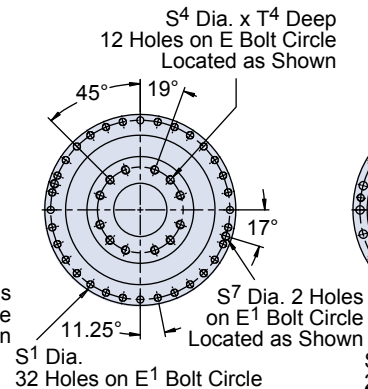
PHQ7/PHQ8



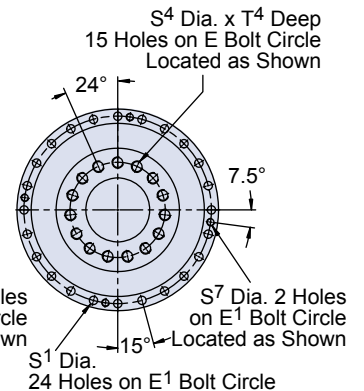
PHQ9



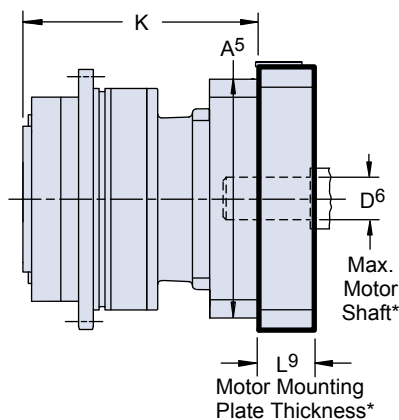
PHQ10



PHQ11



Large Input Option



* See Motor Mounting Plate Option, see page 141 for details.



Dimensional Data

Table 1 Dimensions (mm)

Unit	A ¹	B ¹	B ² _{h7}	B ³ _{g6}	C ¹	D _{h6}	E	E ¹	F ¹	F ²	F ³	F ⁴
PHQ421/PHQ422	118 _{h7}	90 _{h7}	95	–	7	31.5	50	109	10	10	–	–
PHQ521/PHQ522	145 _{h7}	110 _{h7}	120	–	8	40	63	135	10	12	–	–
PHQ721/PHQ722/PHQ723	179 _{h7}	140 _{h7}	152	–	10	50	80	168	12	12	–	–
PHQ822/PHQ823	247 _{h7}	200 _{h7}	212	–	12	80	125	233	15	15	–	–
PHQ932/PHQ933	300 _{h7}	255 _{h7}	255	–	18	90	145	280	20	33	–	–
PHQ1032/PHQ1033	330 _{h7}	285 _{h7}	285	–	20	95	166	310	20	20	–	–
PHQ1132/PHQ1133	425	365 _{h6}	–	365	32	120	200	395	30	30	30	120

Table 2 Dimensions (mm)

Unit	I ²	L	L ²	L ⁴	OR	R	S ¹	S ⁴	S ⁷	T ⁴	V _{h7}
PHQ421/PHQ422	30	6	6	6.5	90x3	0.020	5.5	M6	–	11	63
PHQ521/PHQ522	29	6	6	6.5	110x5	0.020	5.5	M8	–	11	80
PHQ721/PHQ722/PHQ723	38	6	6	6	145x3	0.025	6.6	M10	–	16	100
PHQ822/PHQ823	50	8	8	8.5	200x5	0.030	9.0	M12	M10	17	160
PHQ932/PHQ933	66	12	11	12	238x5	0.030	13.5	M20	M8	28	180
PHQ1032/PHQ1033	75	10	15	15	270x6	0.040	13.5	M24	M10	35	200
PHQ1132/PHQ1133	190	10	10	10	–	0.040	17.5	M24	M16	36	260

* h6, h7, g6 = existing values

Table 3 Dimensions (mm)

Standard			Large Input		
Unit	A ⁵	K	Unit	A ⁵	K
PHQ421	95	99	PHQ421_L	114	107.5
PHQ422	100	147	PHQ422_L	100	149.8
PHQ521	145	110	PHQ521_L	152	124
PHQ522	115	159.5	PHQ522_L	115	168
PHQ721	152	138	PHQ721_L	208	154.5
PHQ722	115	190	PHQ722_L	145	204
PHQ723	100	239.5	PHQ723_L	115	248
PHQ822	145	251	PHQ822_L	190	268
PHQ823	115	303	PHQ823_L	145	204
PHQ932	190	316	PHQ932_L	225	357.5
PHQ933	145	383.5	PHQ933_L	190	434
PHQ1032	225	370	–	–	–
PHQ1033	190	458	PHQ1033_L	225	511
PHQ1132	310	473	–	–	–
PHQ1133	190	553.5	PHQ1133_L	225	561.5