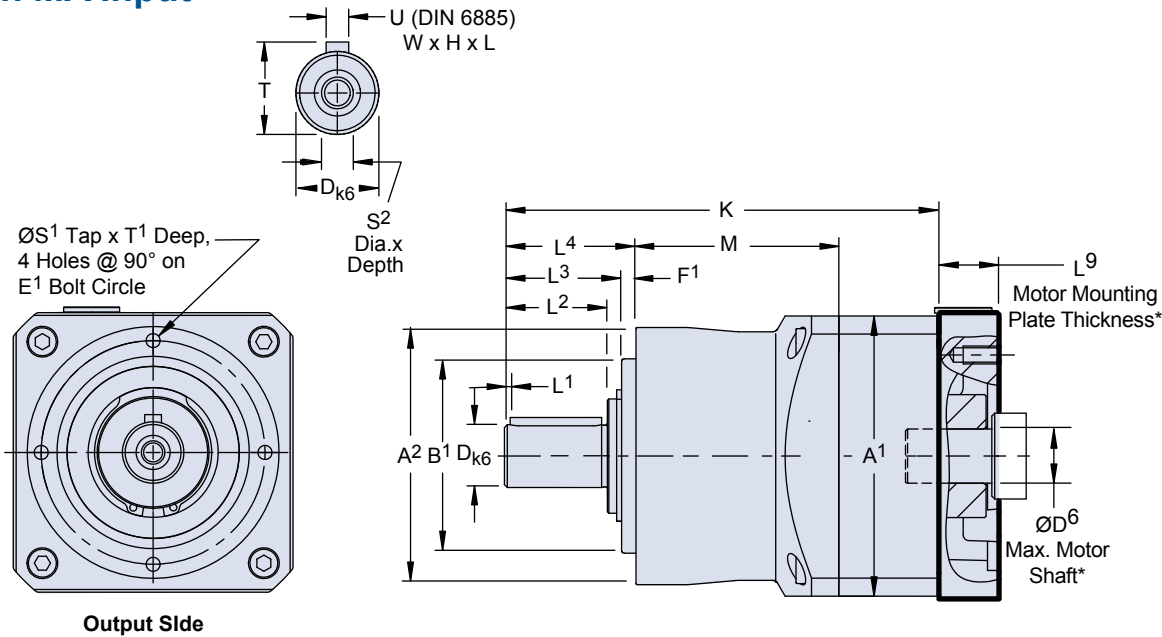


# PE Series: INLINE – Solid Shaft Output

## PE with MA Input



\* See Motor Mounting Plate Option, page 52 for details.

**Table 1 PE Unit Dimensions (mm)**

Unit	A <sup>1</sup>	A <sup>2</sup>	B <sup>1</sup>	h <sub>6</sub>	D	k <sub>6</sub>	E <sup>1</sup>	F <sup>1</sup>	L <sup>1</sup>	L <sup>2</sup>	L <sup>3</sup>	L <sup>4</sup>	S <sup>1</sup>	S <sup>2</sup>	T	T <sup>1</sup>	U
PE211/PE212	55	50	35	+0.000/-0.016	12	+0.012/+0.001	44	4	2	18	20.5	24.5	M4	M4	13.5	8	A4x4x14
PE311/PE312	72	70	52	+0.000/-0.019	16	+0.012/+0.001	62	5	2	28	31	36	M5	M5	18	10	A5x5x22
PE411/PE412	98	90	68	+0.000/-0.019	22	+0.015/+0.002	80	5	2	36	41	46	M6	M8	24.5	13	A6x6x32
PE511/PE512	115	120	90	+0.000/-0.022	32	+0.018/+0.002	108	6	4	58	64	70	M8	M12	35	16	A10x8x50

**Table 2 PE Unit Dimensions (mm)**

Unit	K	M
PE211	94	52.5
PE212	121.5	80
PE311	135.5	66
PE312	168	98.5
PE411	152	71
PE412	190	109
PE511	199.5	89.5
PE512	245	135

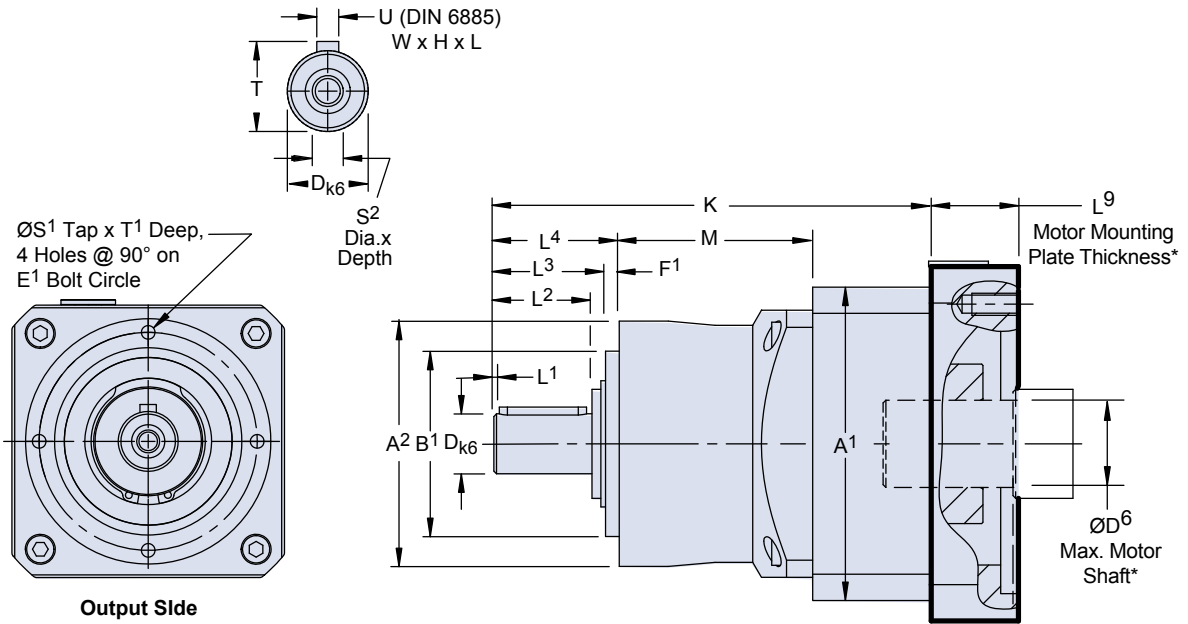
**Table 3 MA Dimensions (mm)**

Unit	ØD <sup>6</sup>	L <sup>9</sup>
PE211/PE212	14	14
PE311/PE312	19	18
PE411/PE412	24	21
PE511/PE512	32	24



# Dimensional Data

## PE with MAL Input



\* See Motor Mounting Plate Option, page 52 for details.

**Table 1 PE Unit Dimensions (mm)**

Unit	A <sup>1</sup>	A <sup>2</sup>	B <sup>1</sup>	h <sub>6</sub>	D	k <sub>6</sub>	E <sup>1</sup>	F <sup>1</sup>	L <sup>1</sup>	L <sup>2</sup>	L <sup>3</sup>	L <sup>4</sup>	S <sup>1</sup>	S <sup>2</sup>	T	T <sup>1</sup>	U
PE211	55	50	35	+0.000/-0.016	12	+0.012/+0.001	44	4	2	18	20.5	24.5	M4	M4	13.5	8	A4x4x14
PE311	72	70	52	+0.000/-0.019	16	+0.012/+0.001	62	5	2	28	31	36	M5	M5	18	10	A5x5x22
PE411	98	90	68	+0.000/-0.019	22	+0.015/+0.002	80	5	2	36	41	46	M6	M8	24.5	13	A6x6x32
PE511	115	120	90	+0.000/-0.022	32	+0.018/+0.002	108	6	4	58	64	70	M8	M12	35	16	A10x8x50

**Table 2 PE Unit Dimensions (mm)**

Unit	K	M
PE211	110.5	52.5
PE311	138.8	66
PE411	160.5	71
PE511	213.5	89.5

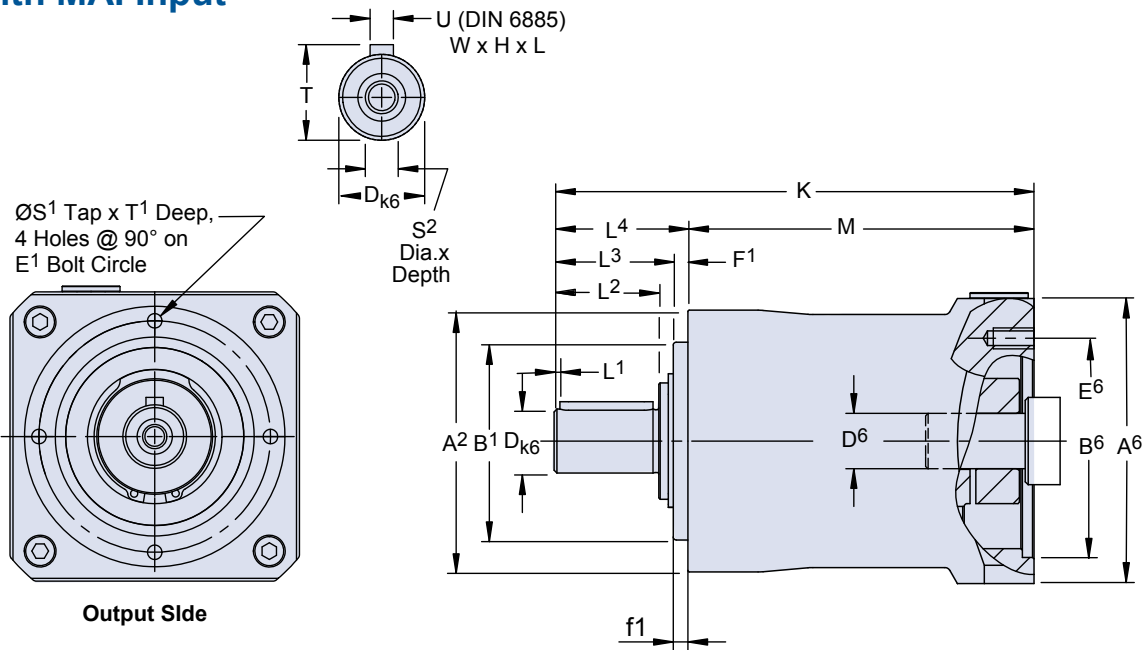
**Table 3 MAL Dimensions (mm)**

Unit	ØD <sup>6</sup>	L <sup>9</sup>
PE211	19	18
PE311	24	21
PE411	32	24
PE511	38	26

PE

INLINE – Solid Shaft Output

## PE with MAI Input



**Table 1 MAI Dimensions (mm)**

Unit	A <sup>2</sup>	B <sup>1</sup>	h <sub>6</sub>	D	k <sub>6</sub>	E <sup>1</sup>	F <sup>1</sup>	L <sup>1</sup>	L <sup>2</sup>	L <sup>3</sup>	L <sup>4</sup>	S <sup>1</sup>	S <sup>2</sup>	T	T <sup>1</sup>	U
<b>PE211</b>	50	35	+0.000/ -0.016	12	+0.012/ +0.001	44	4	2	18	20.5	24.5	M4	M4	13.5	8	A4x4x14
<b>PE311/PE312</b>	70	52	+0.000/ -0.019	16	+0.012/ +0.001	62	5	2	28	31	36	M5	M5	18	10	A5x5x22
<b>PE411/PE412</b>	90	68	+0.000/ -0.019	22	+0.015/ +0.002	80	5	2	36	41	46	M6	M8	24.5	13	A6x6x32
<b>PE511/PE512</b>	120	90	+0.000/ -0.022	32	+0.018/ +0.002	108	6	4	58	64	70	M8	M12	35	16	A10x8x50

**Table 2 PE Unit Dimensions (mm)**

Unit	A <sup>6</sup>	B <sup>6</sup>	E <sup>6</sup>	D <sup>6</sup>	K	M
<b>PE211</b>	55	40	63	9	99	74.5
	72	50	70	14	109	84.5
	72	60	75	14	109	84.5
<b>PE212</b>	—	—	—	—	—	—
<b>PE311</b>	72	60	75	14	136	100
	90	80	100	19	146	110
<b>PE312</b>	72	60	75	14	169	133
<b>PE411</b>	98	80	100	19	165	119
	98	95	115	19	165	119
<b>PE412</b>	98	80	100	14	193	147
	98	80	100	19	203	157
<b>PE511</b>	115	95	115	19	209	139
	115	110	130	24	219	149
	140	130	165	32	229	159
<b>PE512</b>	115	95	115	19	209	139

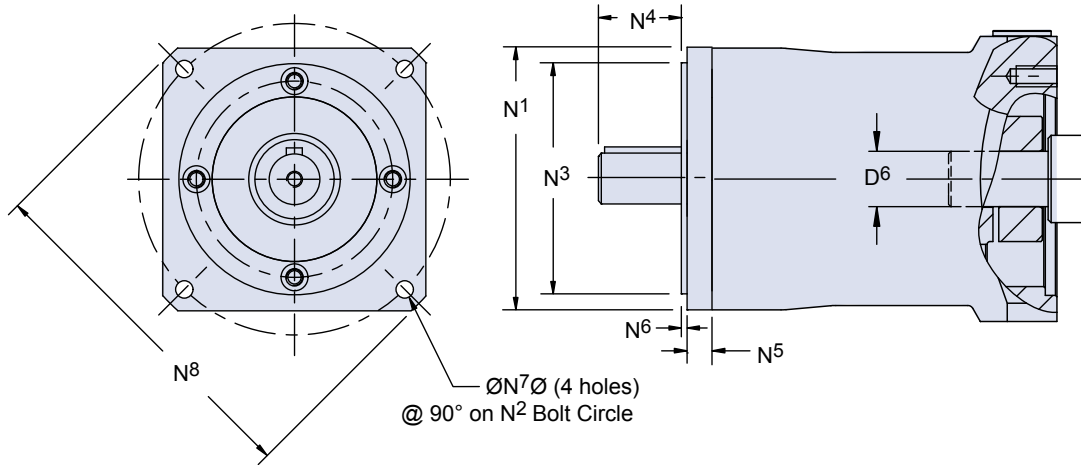


# Dimensional Data

## NEMA Flange Output Face Adapter Option (for MA, MAL, MAI Input)

PE

INLINE – Solid Shaft Output



**Table 1 NEMA Output Flange Option Dimensions**

NEMA	mm						inches					
	N <sup>1</sup>	N <sup>5</sup>	N <sup>4</sup>				N <sup>2</sup>	N <sup>3</sup>		N <sup>6</sup>	N <sup>7</sup>	N <sup>8</sup>
			PE2	PE3	PE4	PE5						
23	58	7	15.9	–	–	–	2.625	1.500	+0.000/-0.001	0.062	0.195	3.00
34	83	8	–	26.6	36.8	–	3.875	2.875	+0.000/-0.001	0.062	0.218	4.37
42	107	8	–	25.6	36	–	4.950	2.186	+0.000/-0.001	0.062	0.281	5.63
56	146	15	–	–	–	51.8	5.875	4.500	+0.000/-0.001	0.125	0.394	7.87