

STF

WITH FLANGE MOUNTING

200 - 45,000 Nm



NEW

PROPERTIES

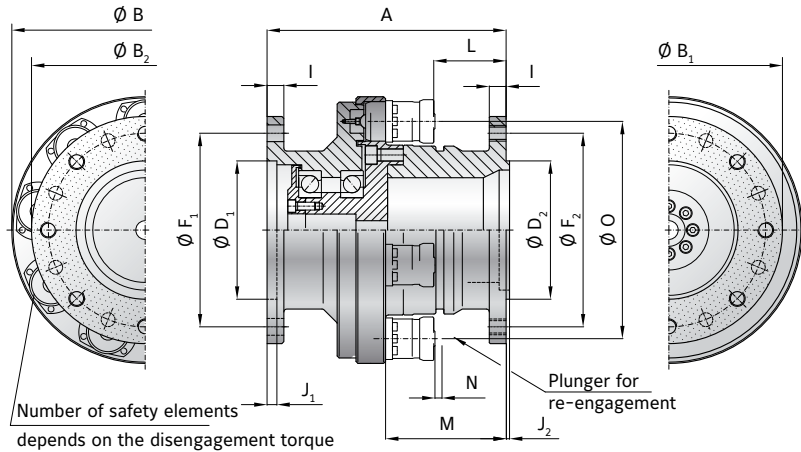
MATERIAL

Hardened steel (nitrocarburized surface)

DESIGN

► Drive side: Coupling hub with flange mounting

► Driven side: Mounting flange with fastening threads and integral bearing
 ► Safety elements: evenly spaced around the circumference; externally adjustable



MODEL STF | SIZE 2 - 40

SIZE		2			5			10			25			40		
Adjustment range available from - to		0.2-0.5	0.5-1.0	1.0-1.5	0.7-2	1.2-4	3.2-5	2-5	4-10	6-14	6-12	9-18	15-25	12-21	22-32	32-45
		3×ST10	6×ST10	6×ST10	3×ST15	6×ST15	6×ST15	3×ST15	6×ST15	9×ST15	6×ST15	9×ST15	12×ST15	3×ST31	6×ST31	9×ST31
Overall length	(mm) A	190			230			250			280			320		
Flange outside diameter	(mm) B	198			220			270			318			428		
Flange outside diameter	(mm) B ₁	170			188			230			268			340		
Flange outside diameter	(mm) B ₂	170			188			230			306			390		
Flange centering diameter H7	(mm) D ₁	90			110			140			174			210		
Flange centering diameter H7	(mm) D ₂	90			110			140			200			210		
Hole circle diameter	(mm) F ₁	130			155.5			196			220			304		
Through hole diameter	(mm) F ₁	8×Ø13			8×Ø15			8×Ø17			12×Ø19			16×Ø22		
Bolt circle diameter	(mm) F ₂	130			155.5			196			270			350		
Outside diameter h7	(mm) F ₂	8×M12			8×M14			8×M16			12×M18			16×M20		
Flange thickness	(mm) I	14			17.5			20			22			25		
Fit length	(mm) J ₁	3			4			5			5			6		
Fit length	(mm) J ₂	2.5			3			3.5			4			4		
Distance	(mm) L	45			63.5			75			83.5			105.5		
Distance	(mm) M	83			113.5			125			124.5			165		
Actuation path	(mm) N	3.5			4.5			4.5			4.5			7.5		
Moment of inertia (approx.) D max. + max. sgmnt	(10 ⁻³ kgm ²) J.kst	83			150			380			830			3300		
Speed max.	(rpm)	9000			7500			6300			5000			3600		
Allowable max. radial force standard*	(KN)	7			12			17			22			30		
Approx. weight at D max. + max. sgmnt	(kg) m.kst	20			30.4			50.3			73			180		

* larger radial loads possible with special bearings