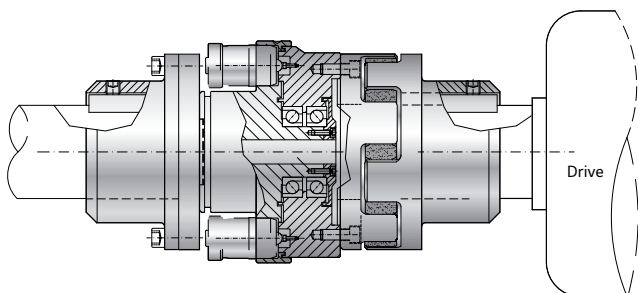




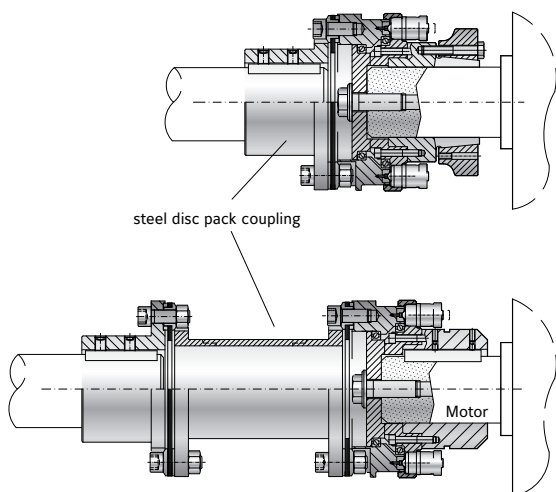
OPTIONS / SPECIAL SOLUTIONS

SAFETY COUPLINGS - FURTHER POSSIBILITIES



FOR EXTRUDER APPLICATIONS

- ▶ with elastic jaw coupling
- ▶ precise overload protection
- ▶ removable center section for lateral mounting



WITH TORSIONALLY STIFF DISC PACK COUPLING

- ▶ single or double flex
- ▶ high torsional stiffness
- ▶ disc packs from highly elastic spring steel



WITH TORSIONALLY STIFF BELLOWS COUPLING

- ▶ with clamping hubs, keyway mounting or flange mounting
- ▶ compensation for misalignment
- ▶ bellows made from highly elastic stainless steel



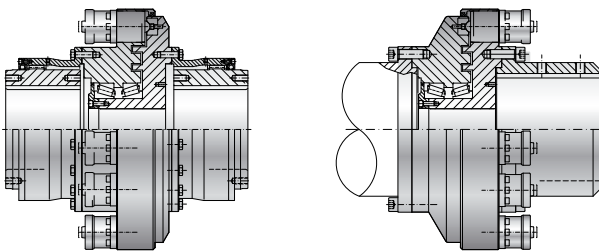
FOR HIGH SPEED APPLICATIONS

- ▶ integral ball-plunger system
- ▶ extremely compact with a low moment of inertia
- ▶ balanced for high speed



BUREAU VERITAS CERTIFIED

- ▶ for inland and offshore applications
- ▶ customized solutions
- ▶ rugged and special design for direct use in ship powertrains



MORE DESIGNS AVAILABLE

- ▶ for 1,000,000 Nm and more
- ▶ customer specified solutions
- ▶ for all branches and industries