

**MKS**

# WITH CONICAL CLAMPING RING ASSEMBLY

4.5 - 10 Nm



**High speed**

## ABOUT

### FEATURES

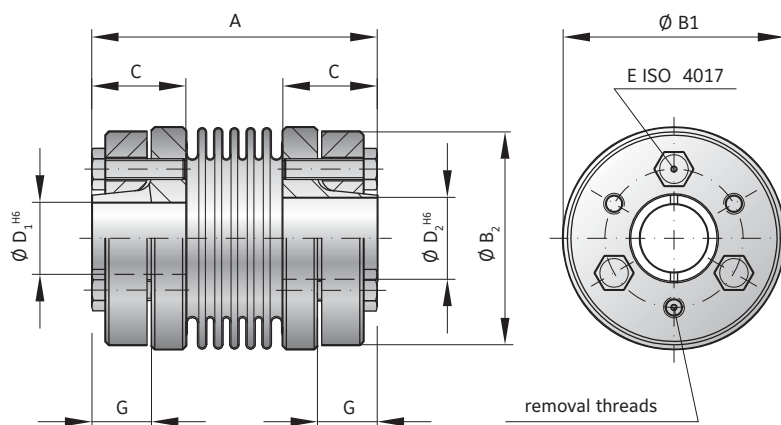
- ▶ made for high speed
- ▶ self centering conical clamping ring assembly
- ▶ naturally very well balanced

### MATERIAL

- ▶ **Bellows:** high grade stainless steel
- ▶ **Hubs and clamping rings:** aluminium

### DESIGN

Two conical clamping ring assemblies with three or four screws. Maximum speed up to 120,000 with standard balance grade ISO G=2.5.



MINIATURE COUPLINGS MK

## MODEL MKS

SIZE			45	100
Rated torque	(Nm)	$T_{KN}$	4.5	10
Overall length	(mm)	A	42	48
Outside diameter	(mm)	$B_1$	32	40
Outside diameter of hub	(mm)	$B_2$	30	38
Fit length	(mm)	C	14	16
Inside diameter possible from $\emptyset$ to $\emptyset$ H6	(mm)	$D_{1/2}$	6-10	8-14
Fastening screw ISO 4017	(mm)		3x M3	4x M3
Tightening torque of the fastening screw	(Nm)	E	1.3	1.3
Distance	(mm)	G	8.5	9.5
Moment of inertia	(gcm <sup>2</sup> )	$J_{ges}$	65	160
Masse	(g)		51	75
Torsional stiffness	(Nm/rad)	$C_T$	7000	9050
Axial	(mm)		0.5	0.75
Lateral	(mm)	Max. values	0.1	0.05*
Angular	(degree)		0.5	0.5

For speeds beyond 50,000 rpm use reduced misalignment values marked with \*

ORDERING EXAMPLE	MKS	45	8	9.53	XX
Model	●				
Size		●			
Bore D1 H6			●		
Bore D2 H6				●	
Special designation only (e.g. special bore tolerance).					
For custom features place an XX at the end of the part number and describe the special requirements (e.g. MKS / 45 / 8 / 9.53 / XX; XX=anodized aluminum hubs)					