

MK6

BLIND MATE CONNECTION WITH EXPANDING SHAFT 0.5 - 10 Nm

ABOUT



FEATURES

- ▶ easy installation and removal
- ▶ solution for mismatched bore / shaft diameters
- ▶ absolutely backlash free assembly

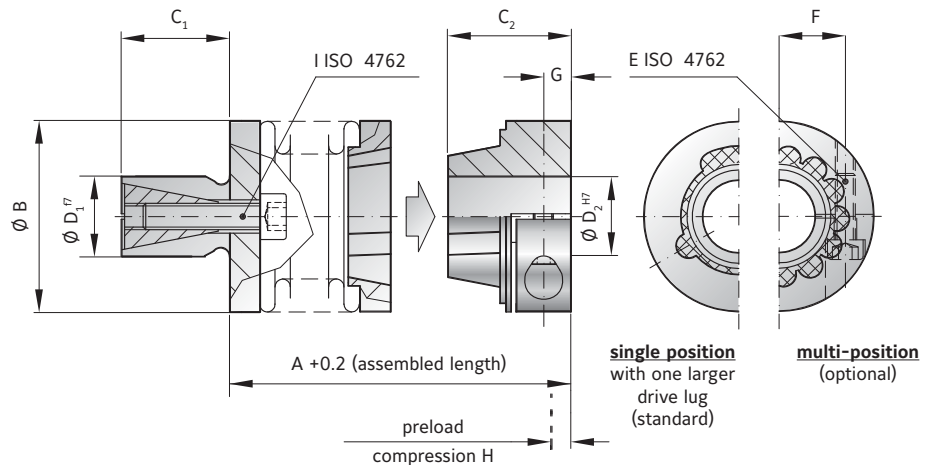
MATERIAL

- ▶ **Bellows:** high grade stainless steel

- ▶ **Tapered male segment:** high strength plastic
- ▶ **Clamping hub:** aluminium
- ▶ **Expanding shaft:** steel

DESIGN

One clamping hub with a tapered male projection for blind mate connection and one expanding shaft system.



MODEL MK6

SIZE			5			15		20			45		100	
Rated torque (Nm)	T_{KN}		0.5			1.5		2			4.5		10	
Overall length (inserted) (mm)	$A^{+0.2}$		22	24	27	27	32	28	34	38	38	46	45	55
Outside diameter (mm)	B		15			19		25			32		40	
Shaft length (mm)	C_1		10			12		12			15		20	
Fit length (mm)	C_2		12			14		16			20		21.5	
Standard shaft $\phi f7$ (mm)	D_1		8-10			10-14		10-16			14-20		16-24	
Inside diameter possible from ϕ to $\phi H7$ (mm)	D_2		3-6.35			3-8		3-12.7			5-16		5-20	
Fastening screw ISO 4762	E		M2			M2.5		M3			M4		M4	
Tightening torque of the fastening screw (Nm)			0.43			0.85		2.3			4		4.5	
Distance between centerlines (mm)	F		4.5			6		8			10		15	
Distance (mm)	G		3			3.5		4			5		5	
Preload compression (mm)	H		0.4			0.5		0.5			0.7		1	
Axial recovery force at max. preload compression (N)			5	3	2	4	3	3	4	3	15	10	25	30
Fastening screw ISO 4762	I		M3			M4		M4			M5		M6	
Tightening torque of the fastening screw (Nm)			1.5			3		4			6.5		11	
Moment of inertia (gcm^2)	J_{ges}		3.0	3.2	3.5	9.0	10	28	30	33	110	120	220	230
Torsional stiffness (Nm/rad)	C_T		280	210	170	750	700	1200	1300	1200	7000	5000	9050	8800
Lateral (mm)	Max. values		0.15	0.2	0.25	0.15	0.2	0.15	0.2	0.25	0.2	0.25	0.2	0.3
Angular (degree)			1	1.5	2	1.5	1.5	1.5	1.5	2	1.5	2	1.5	2

ORDERING EXAMPLE	MK6	20	28	12	9.53	XX
Model	●					Special designation only (e.g. special bore / shaft tolerance).
Size		●				
Overall length mm			●			
Shaft D1 f7				●		
Bore D2 H7					●	

For custom features place an XX at the end of the part number and describe the special requirements (e.g. MK6 / 20 / 28 / 12 / 9.53 / XX; XX=finely balanced for 25,000 rpm)