

MK4

BLIND MATE CONNECTION WITH RADIAL SET SCREWS 0.5 - 10 Nm



ABOUT

FEATURES

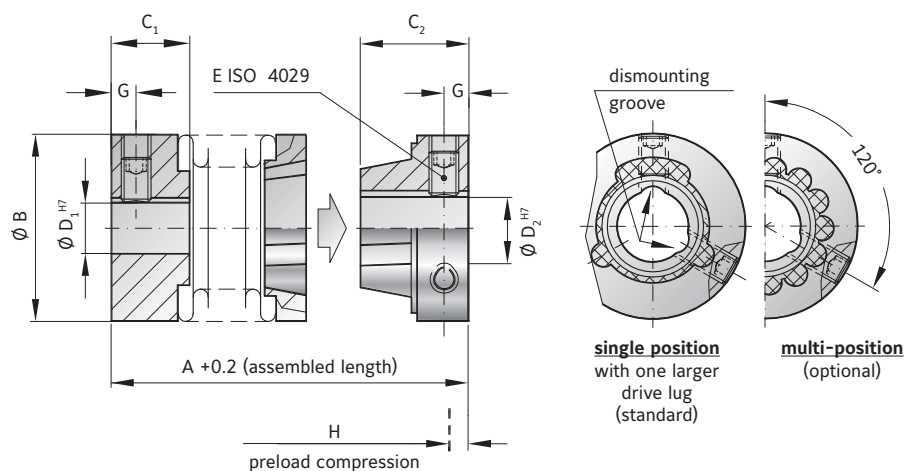
- ▶ easy installation and removal
- ▶ electrically and thermally isolating
- ▶ absolutely backlash free assembly

MATERIAL

- ▶ **Bellows:** high grade stainless steel
- ▶ **Hubs:** aluminium
- ▶ **Tapered male segment:** high strength plastic

DESIGN

Two hubs with radial set screws, one of which has a tapered male projection for blind mate connection. Speeds up to 20,000 rpm; over 20,000 with finely balanced version.



MODEL MK4

SIZE			5			15		20			45		100	
Rated torque (Nm)	T_{KN}		0.5			1.5		2			4.5		10	
Overall length (inserted) (mm)	$A^{+0.2}$		22	25	28	26	31	28	33	37	39	47	46	56
Outside diameter (mm)	B		15			19		25			32		40	
Fit length (mm)	C_1		6.5			7.5		11			13		15	
Fit length (mm)	C_2		9			10		11			14		16	
Inside diameter possible from \emptyset to \emptyset H7 (mm)	D_1		3-9			3-12		3-16			6-22		6-28	
Inside diameter possible from \emptyset to \emptyset H7 (mm)	D_2		3-6.35			3-9		3-12.7			6-16		6-20	
Clamping screw ISO 4029			1xM3			2xM3		2xM4			2xM5		2xM6	
Tightening torque of the fastening screw (Nm)	E		1.3			1.3		2.5			4		6	
Distance (mm)	G		2			2		2.5			3.5		4	
Preload compression (mm)	H		0.4			0.5		0.5			0.7		1	
Axial recovery force at max. preload compression (N)			5	3	2	4	3	3	4	3	15	10	25	30
Moment of inertia (gcm^2)	J_{ges}		2.0	2.2	2.5	5.5	6.0	21	23	25	80	85	200	210
Torsional stiffness (Nm/rad)	C_T		280	210	170	750	700	1200	1300	1200	7000	5000	9050	8800
Axial* (mm)			0.4	0.5	0.6	0.5	0.7	0.5	0.6	0.7	0.7	1	1	1.2
Lateral (mm)			0.15	0.2	0.25	0.15	0.2	0.15	0.2	0.25	0.2	0.25	0.2	0.3
Angular (degree)			1	1.5	2	1.5	1.5	1.5	1.5	2	1.5	2	1.5	2

* in addition to maximum pre-tensioning

ORDERING EXAMPLE	MK4	20	37	8	9.53	XX
Model	●					
Size		●				
Overall length mm			●			
Bore D1 H7				●		
Bore D2 H7					●	

Special designation only (e.g. special bore tolerance).

For custom features place an XX at the end of the part number and describe the special requirements (e.g. MK4 / 20 / 37 / 8 / 9.53 / XX; XX=finely balanced for 25,000 rpm)