

LP4

WITH CONICAL CLAMPING RING

500 - 24,000 Nm



NEW

PROPERTIES

FEATURES

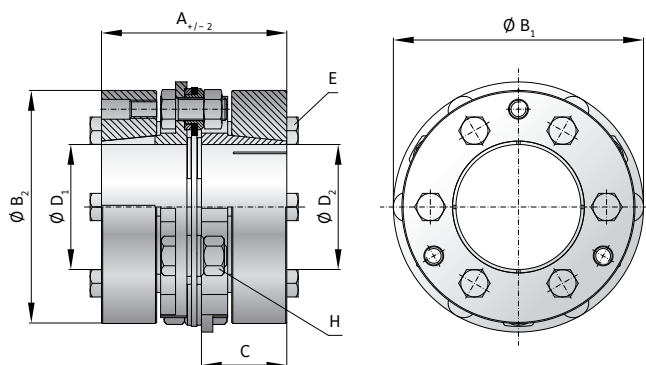
- ▶ very high torsional stiffness
- ▶ single flex design
- ▶ backlash free for reversing loads

MATERIAL

- ▶ **Disc pack:** highly elastic spring steel
- ▶ **Hubs:** high strength steel

DESIGN

Two precision machined conical clamping ring hubs mounted to the disc pack by means of high strength screws and bushings for alignment and frictional clamping of the assembly.



MODEL LP4 | SIZE 500 - 12000

SIZE			500	800	2500	5000	8000	12000
Rated torque	(Nm)	T_{KN}	500	800	2500	5000	8000	12000
Maximum torque	(Nm)	T_{Kmax}	1000	1600	5000	10000	16000	24000
Overall length	(mm)	A	68	91	137	169	226	251.5
Outside diameter	(mm)	B_1	112	136	172	220	270	305
Hub diameter	(mm)	B_2	110	130	165	205	260	290
Hub fit length	(mm)	C	31.5	42	64	78	105	112
Bore diameter* available from \emptyset to \emptyset H7	(mm)	$D_{1/2}$	24 - 55	30 - 65	35 - 80	50 - 110	60 - 130	70 - 170
Clamping screws (ISO 4017)		F	6 x M8	6 x M10	6 x M12	6 x M16	6 x M20	6 x M20
Tightening torque	(Nm)	E	25	50	100	250	470	500
Assembly screw (ISO 4762) Nut (DIN 934)		H	M8	M10	M16	M20	M24	M24
Tightening torque	(Nm)		41	83	355	690	1200	1200
Moment of inertia	($10^{-3}kgm^2$)	$J_{ges.}$	5	15	59	172	606	993
Material			Steel	Steel	Steel	Steel	Steel	Steel
Approximate weight	(kg)		2.9	5.8	14.4	25.4	58	70.6
Torsional stiffness	($10^3Nm/rad$)	C_T	500	1250	1700	3800	6400	13800
Axial \pm	(mm)		0.6	0.8	1.1	1.25	1.25	1.5
Angular \pm	(degree)		0.7	0.7	0.7	0.7	0.7	0.7
Maximum speed	(1/min.)		10000	8000	6000	5000	4500	4000

* transmittable torque can depend on the bore diameter (contact supplier for details)

ORDERING EXAMPLE	LP4	500	68	42	38	XX
Model	●					
Size		●				
Overall length			●			
Bore D1 H7				●		
Bore D2 H7					●	

For custom features place an XX at the end of the part number and describe the special requirements (e.g. LP4 / 500 / 68 / 42 / 38 / XX)

DISC PACK COUPLINGS
LP