

**NX**  
AC DRIVES

**MOUNTING OF CABLE ACCESSORIES  
FR4-FR8 AND MF4-MF6**



---

## TABLE OF CONTENTS

Document ID: DPD01632  
Document revision: A  
Release date: 12.08.2014

<b>1. FR4-FR6 and MF4-MF6 cable accessories .....</b>	<b>2</b>
1.1 Accessories bag contents .....	2
1.2 Mounting the accessories .....	3
<b>2. FR7 and FR8 cable accessories .....</b>	<b>5</b>
2.1 Accessories bag contents .....	5
2.2 Mounting the accessories .....	6

## 1. FR4-FR6 AND MF4-MF6 CABLE ACCESSORIES

Enclosed to your NX or NXL AC drive you have received a plastic bag containing components that are needed for the installation of the mains and motor cables in the AC drive.

### 1.1 ACCESSORIES BAG CONTENTS

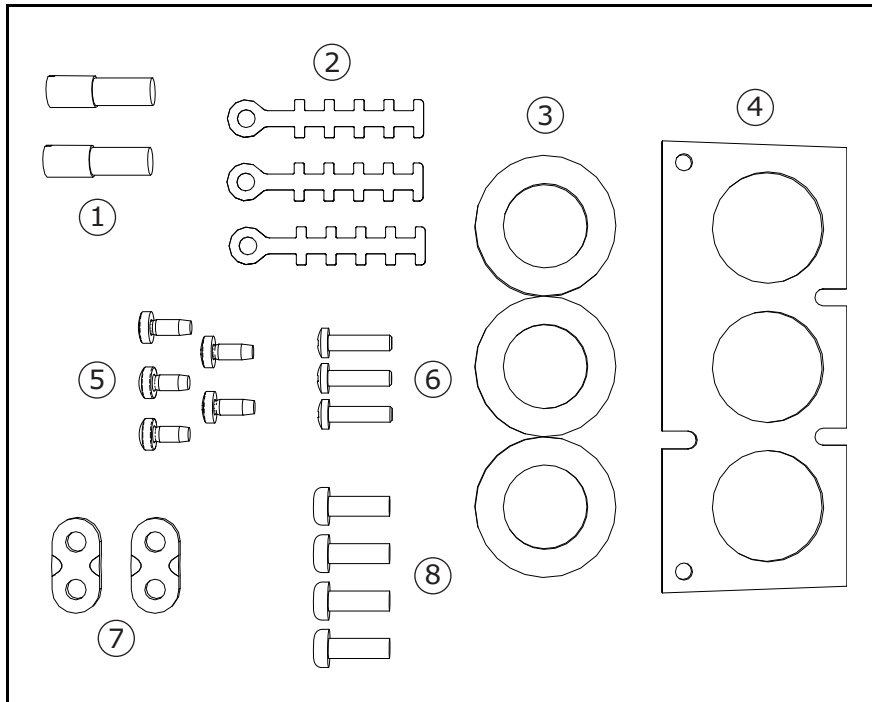


Figure 1. Cable accessories for FR4-FR6 and MF4-MF6

#### Components:

1. Grounding terminals (FR4, FR5/MF4, MF5), 2 pcs
2. Cable clamps, 3 pcs
3. Rubber grommets (sizes vary from class to class), 3 pcs
4. Cable entry flange
5. Screws, M4x10, 5 pcs
6. Screws, M4x16, 3 pcs
7. Grounding cable clamps (FR6, MF6), 2 pcs
8. Grounding screws M5x16 (FR6, MF6), 4 pcs

**NOTE!** The cable accessories installation kit for AC drives of protection class IP54 includes all components except 4 and 5.

**1.2 MOUNTING THE ACCESSORIES**

<b>1</b>	Make sure that the plastic bag you have received contains all necessary components.
<b>2</b>	<p>Open the cover of the AC drive.</p> <div data-bbox="692 389 1051 896" data-label="Image"></div> <p data-bbox="815 909 927 943"><i>Figure 2.</i></p>
<b>3</b>	<p>Remove the cable cover. Observe the places for:</p> <ol data-bbox="327 1010 970 1081" style="list-style-type: none"><li>1. the grounding terminals (FR4/FR5; MF4/MF6).</li><li>2. the grounding cable clamps (FR6/MF6).</li></ol> <div data-bbox="357 1140 1385 1545" data-label="Image"></div> <p data-bbox="815 1568 927 1601"><i>Figure 3.</i></p>

4

Re-install the cable cover. Mount the cable clamps with the three M4x16 screws as shown in the picture. Note that the location of the grounding bar in FR6/MF6 is different from what is shown in the picture.

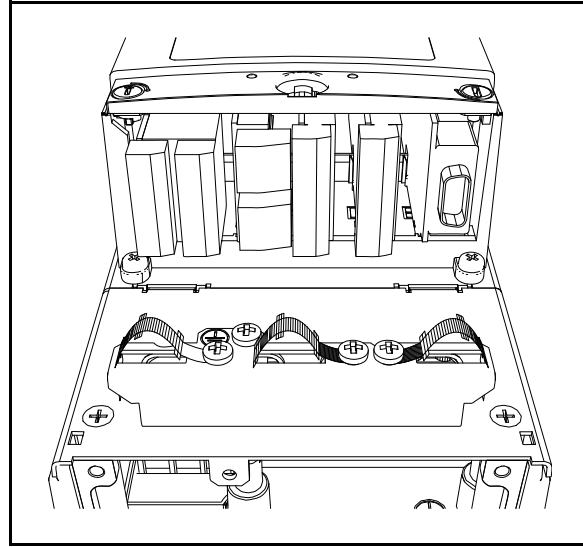


Figure 4.

5

Place the rubber grommets in the openings as shown in the picture.

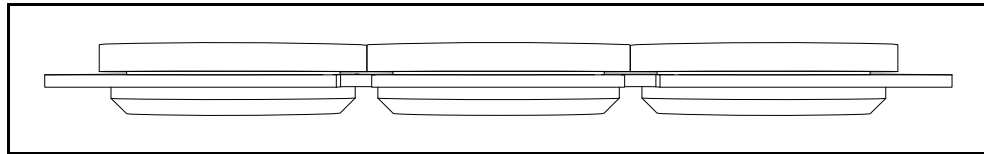


Figure 5.

6

Fix the cable entry flange to the frame of the AC drive with the five M4x10 screws. Close the cover of the AC drive.

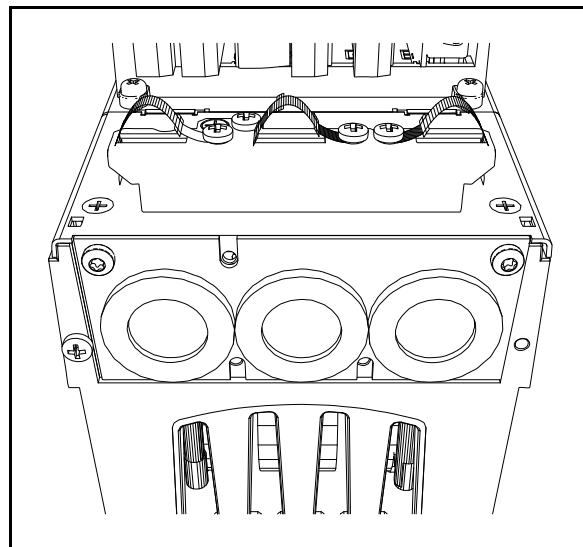


Figure 6.

## 2. FR7 AND FR8 CABLE ACCESSORIES

Enclosed to your NX AC drive you have received a plastic bag containing components that are needed for the installation of the mains and motor cables in the AC drive.

### 2.1 ACCESSORIES BAG CONTENTS

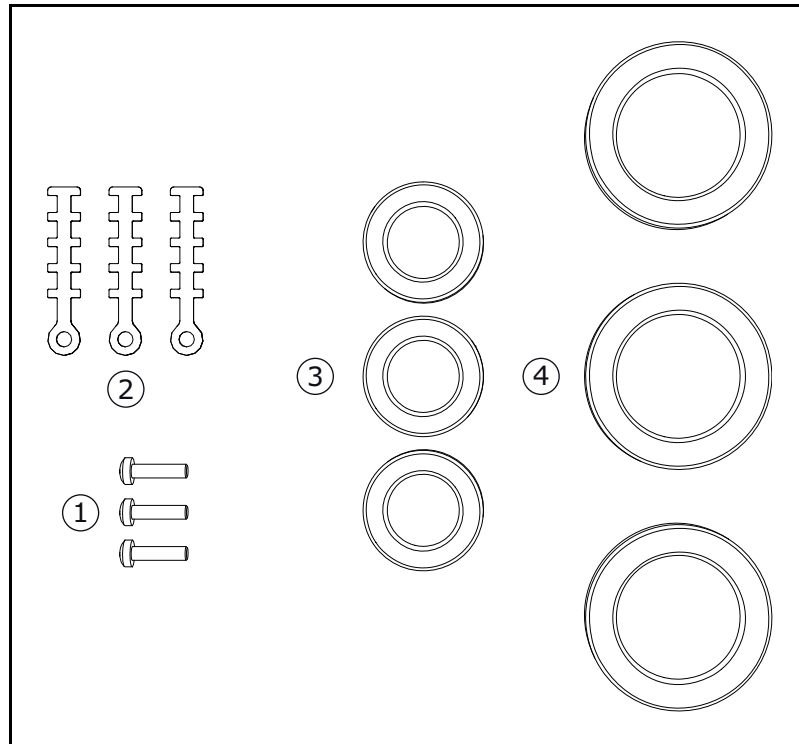


Figure 7. Cable accessories for FR7 and FR8

#### Components:

1. Screws, M4x16, 3 pcs
2. Cable clamps, 3 pcs
3. Rubber grommets GD21 (FR7 IP54), 3 pcs / (FR8), 6 pcs
4. Rubber grommets GDM36 (FR7), 3 pcs

**2.2 MOUNTING THE ACCESSORIES**

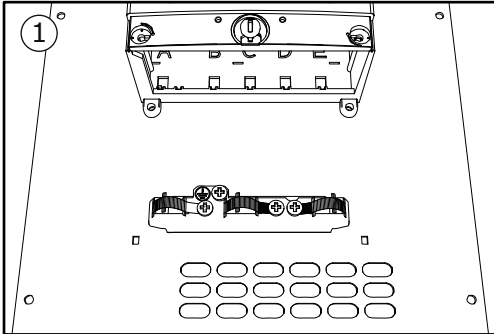
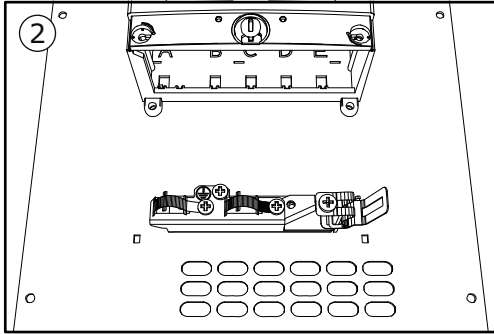
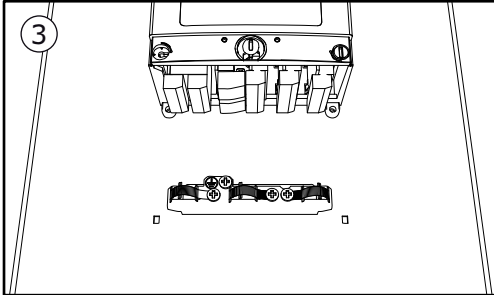
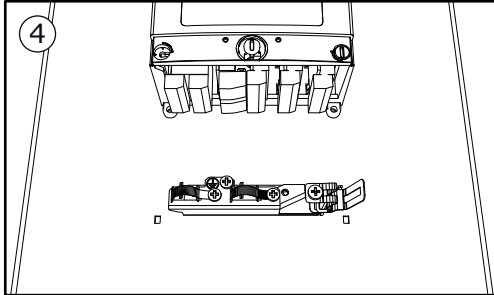
<b>1</b>	Make sure that the plastic bag you have received contains all necessary components.
<b>2</b>	Open the cover of the AC drive.
<b>3</b>	<p>Mount the cable clamps on the grounding level with M4x16 screws as shown in the figure:</p> <ol style="list-style-type: none"> <li>1. FR7 standard,</li> <li>2. FR7 profibus,</li> <li>3. FR8 standard,</li> <li>4. FR8 profibus.</li> </ol> <div style="display: flex; justify-content: space-around; align-items: center;">   </div> <div style="display: flex; justify-content: space-around; align-items: center; margin-top: 20px;">   </div>

Figure 8.



**4**

Place the rubber grommets in the openings as shown in the figure:

1. FR7 IP21,
2. FR7 IP54,
3. FR8.

See also Figure 5 on page 4 for how to place the grommets correctly.

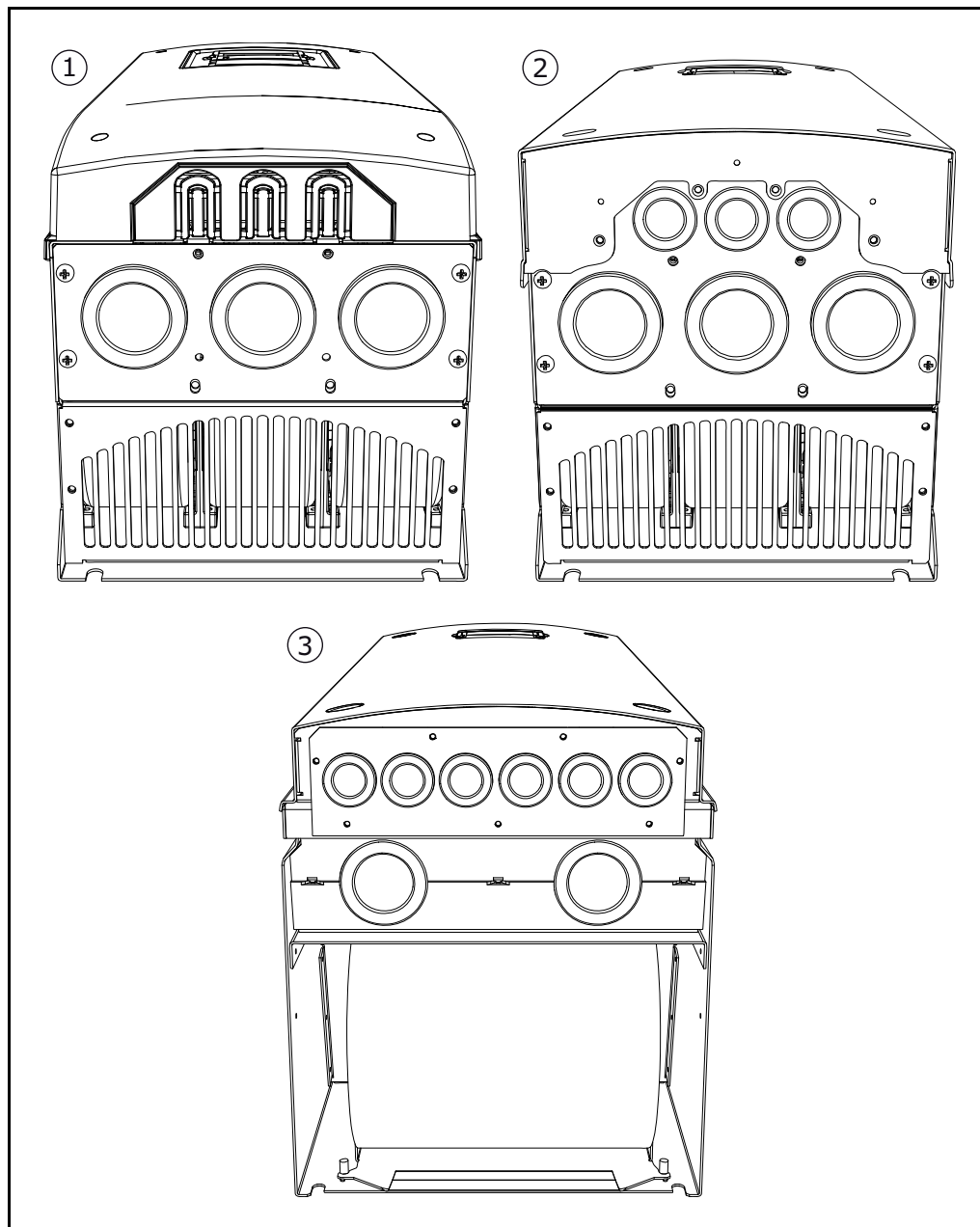


Figure 9.

**5**

Close the cover of the AC drive.

Document ID:



D P D 0 1 6 3 2

Rev. A