

## *Offering You More!*

# Advanced Hub<sup>3</sup>® Stainless Steel Worm Gear Drives

### Features & Benefits

**Now available in seven sizes**

Polished 316 Stainless Steel housings with rounded caps and covers for easy cleanability

303 Stainless Steel output shafts and sleeves

Food grade synthetic lubricant, USDA class H1

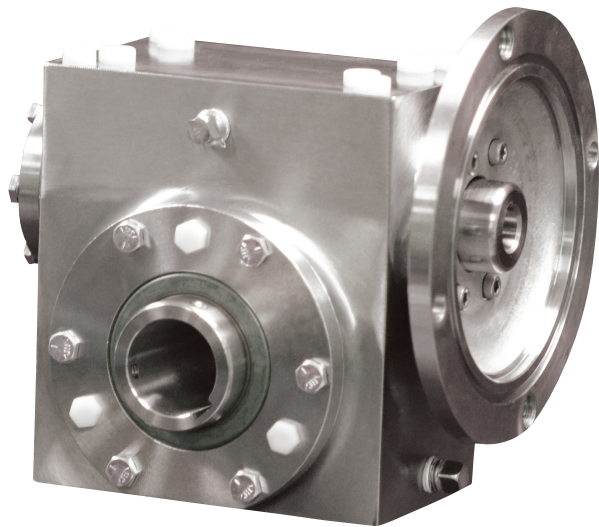
Dual bolt patterns top and bottom mounting surfaces for universal mounting capability

Available in solid output and hollow bore designs

Available accessories include base kits and side mounting flange kits

### Applications

Washdown; Meat & Poultry Processing; Food Processing; Chemical Processing; Pharmaceutical



**DRIVE CENTRE**   
Industrial Automation Systems Integrators

57 Galaxy Blvd, Units 1 & 2, Toronto, ON M9W 5P1  
TEL: (416) 231-6767  
[www.drivecentre.ca](http://www.drivecentre.ca)

A Regal Brand

**REGAL**



# Dimensions

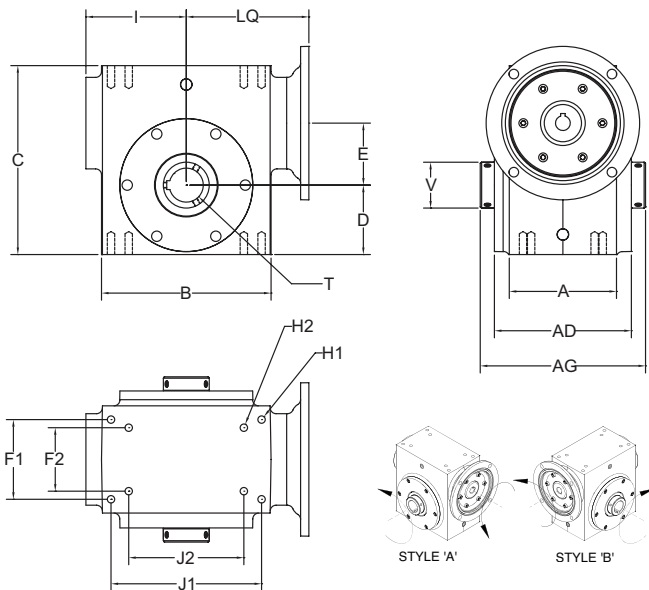
## Hollow Output Style

Model	A	AD	B	C	D	E	F1	F2	H1	H2	I	J1	J2	LQ (56C-140TC)	LQ (180TC)	T MAX	T KWY	V	AG
SSW135	2.82	3.69	3.80	4.66	1.72	1.333	2.00	N/A	5/16-18	N/A	2.38	3.25	N/A	3.48	N/A	0.625	3/16 x 3/32	1.00	4.75
SSW155	3.44	4.40	4.88	5.38	1.91	1.540	2.75	N/A	5/16-18	N/A	2.91	4.19	N/A	4.01	N/A	0.625	3/16 x 3/32	1.00	5.42
SSW185	3.32	4.40	5.06	5.75	2.06	1.750	2.75	1.63	5/16-18	1/4-20	3.01	4.19	3.13	4.11	N/A	1.000	1/4 x 1/8	1.44	5.50
SSW215	3.60	4.78	5.80	6.38	2.28	2.063	3.00	2.00	5/16-18	5/16-18	3.38	4.75	4.00	4.48	N/A	1.500	3/8 x 3/16	1.94	6.00
SSW245	4.06	4.97	6.12	6.94	2.50	2.375	2.88	N/A	3/8-16	N/A	3.69	5.00	N/A	4.63	5.24	1.500	3/8 x 3/16	1.94	6.00
SSW265	4.54	5.80	7.25	8.00	2.94	2.625	3.38	2.69	3/8-16	3/8-16	4.25	6.38	4.88	5.19	5.80	1.500	3/8 x 3/16	1.94	7.00
SSW325	5.45	6.80	8.50	9.38	3.50	3.250	4.00	2.75	7/16-14	1/2-13	4.94	7.50	6.25	5.88	6.49	2.188	1/2 x 1/4	2.75	7.88

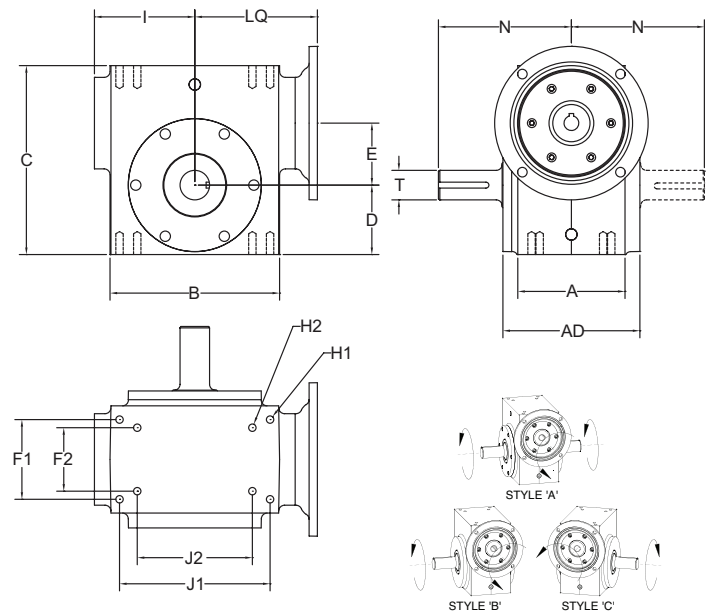
## Solid Output Style

Model	A	AD	B	C	D	E	F1	F2	H1	H2	I	J1	J2	LQ (56C-140TC)	LQ (180TC)	N	O/P Key	T
SSW134	2.82	3.69	3.80	4.66	1.72	1.333	2.00	N/A	5/16-18	N/A	2.38	3.25	N/A	3.48	N/A	4.00	3/16 x 1.75	0.625
SSW154	3.44	4.40	4.88	5.38	1.91	1.540	2.75	N/A	5/16-18	N/A	2.91	4.19	N/A	4.01	N/A	4.31	3/16 x 1.75	0.750
SSW184	3.32	4.40	5.06	5.75	2.06	1.750	2.75	1.63	5/16-18	1/4-20	3.01	4.19	3.13	4.11	N/A	4.31	3/16 x 1.38	0.875
SSW214	3.60	4.78	5.80	6.38	2.28	2.063	3.00	2.00	5/16-18	5/16-18	3.38	4.75	4.00	4.48	N/A	4.68	1/4 x 1.45	1.000
SSW244	4.06	4.97	6.12	6.94	2.50	2.375	2.88	N/A	3/8-16	N/A	3.69	5.00	N/A	4.63	5.24	5.14	1/4 x 1.75	1.125
SSW264	4.54	5.80	7.25	8.00	2.94	2.625	3.38	2.69	3/8-16	3/8-16	4.25	6.38	4.88	5.19	5.80	5.63	1/4 x 2.00	1.250
SSW324	5.45	6.80	8.50	9.38	3.50	3.250	4.00	2.75	7/16-14	1/2-13	4.94	7.50	6.25	5.88	6.49	7.06	3/8 x 2.63	1.500

### Hollow Output Style



### Solid Output Style



## Available Hollow Output Bore Diameters (T)

Model	5/8"	11/16"	3/4"	7/8"	1"	1-1/8"	1-3/16"	1-1/4"	1-7/16"	1-1/2"	1-5/8"	1-11/16"	1-3/4"	1-7/8"	1-15/16"	2	2-3/16"
SSW135	YES																
SSW155	YES																
SSW185	YES	YES	YES	YES	YES												
SSW215					YES	YES	YES	YES	YES	YES							
SSW245					YES	YES	YES	YES	YES	YES							
SSW265					YES	YES	YES	YES	YES	YES							
SSW325							YES	YES	YES	YES	YES	YES	YES	YES	YES	YES	YES

# Located to Serve You!

24-Hour assembly and shipment, and on-the-shelf availability of our most sought after products

## Hub City Headquarters

2914 Industrial Avenue  
Aberdeen, SD 57402  
(605) 225-0360  
(800) 482-2489

## Hub City Florida

4725 Lakeland Commerce Pkwy., Suite 6  
Lakeland, FL 33805  
(863) 665-9374

## Hub City West

11034 Forest Place  
Santa Fe Springs, CA 90670  
(714) 776-1992  
(800) 551-6661

## Hub City Southwest

3251 Royalty Row  
Irving, TX 75062  
(972) 721-0080  
(800) 494-1918

## Hub City Midwest

9899 E. Cty Rd 200 South  
Avon, IN 46123  
(317) 837-1150  
(800) 253-4281

## Hub City Northeast

6520 Stonegate Drive  
Allentown, PA 18106  
(610) 391-9298  
(800) 452-1117

## Hub City Southeast

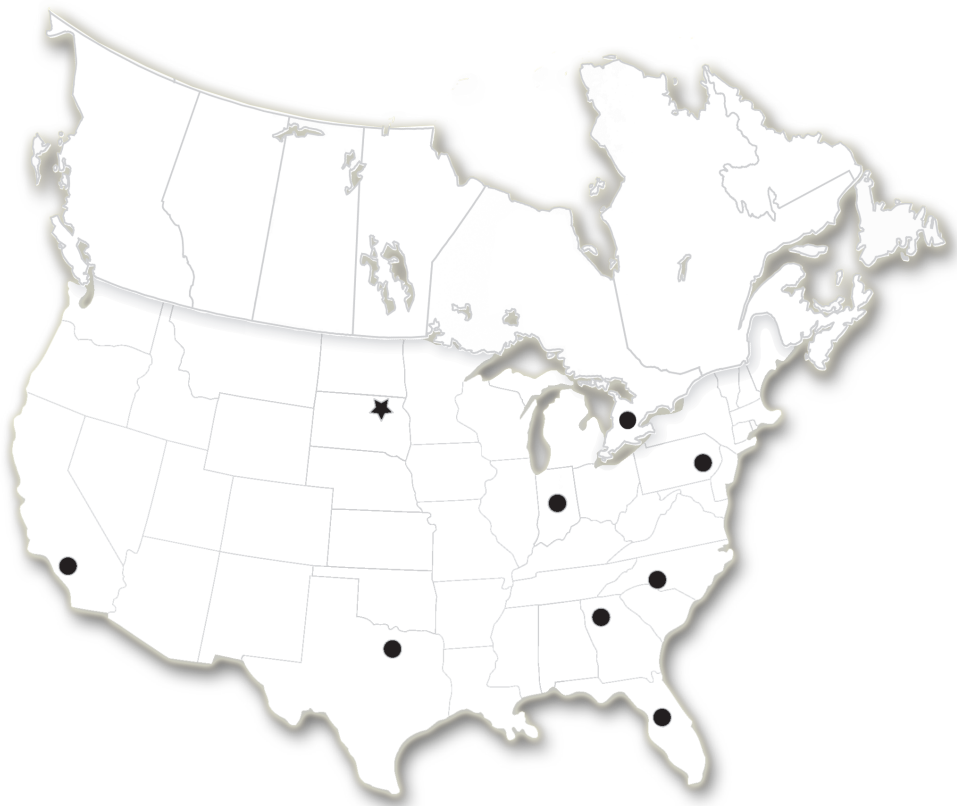
135 Cecil Court  
Fayetteville, GA 30214  
(770) 461-8334  
(800) 777-7159

## Hub City East

1011 Van Buren Avenue  
Indian Trail, NC 28079  
(704) 847-9131

## Hub City Canada

80 Hale Road Unit #1  
Brampton, Ontario L6W 3N9  
(905) 455-6969  
(888) 661-1889



2914 Industrial Avenue  
Aberdeen, SD 57402 USA  
PH: 605-225-0360  
FAX: 605-225-0567  
Email: [hubsales@regalbeloit.com](mailto:hubsales@regalbeloit.com)

[www.hubcityinc.com](http://www.hubcityinc.com)



Made in U.S.A.



A Regal Brand

**REGAL**

[www.regalbeloit.com](http://www.regalbeloit.com)