

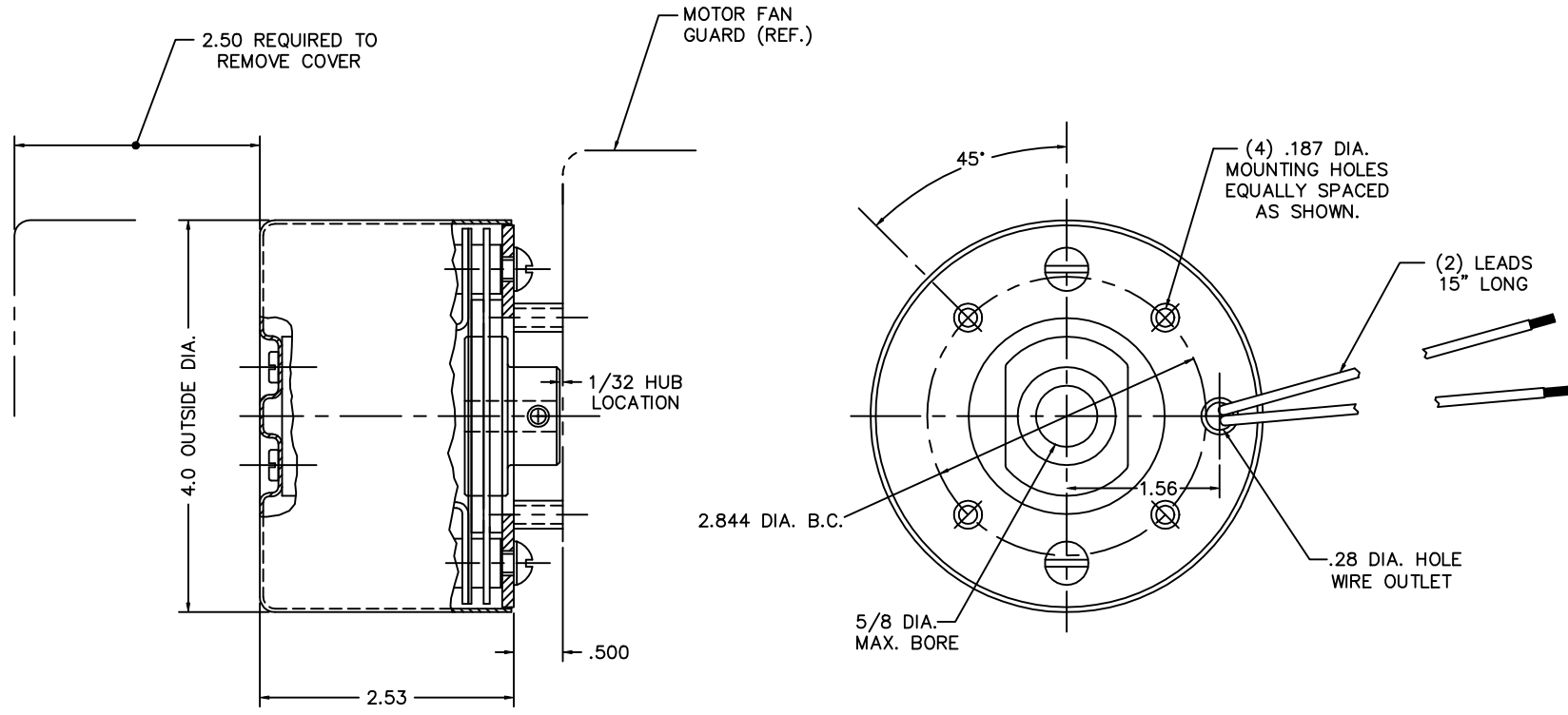
DRIVE CENTRE

Industrial Automation Systems Integrators


57 Galaxy Blvd., Units 1 & 2, Toronto, ON M9W 5P1
 TEL: (416) 231-6767
 www.drivecentre.ca

MODEL	2-42001-012, 2-42001-013*	
TORQUE LB.FT.	3/4 OR 3/8	
MAXIMUM RPM	3600	
INERTIA WK ² LB.FT. ²	.001	
WT.LBS. PKG'D	2 1/2	
AIR GAP	MIN.	23/64**
	MAX.	7/16

*MODEL INCLUDES MANUAL RELEASE WITH AUTOMATIC RESET.
 **THE 23/64" MINIMUM AIR GAP IS A NOMINAL POSITION. ON LOW HORSEPOWER UNITS, THE GAP MAY HAVE TO BE SLIGHTLY LARGER. OBSERVE MOTOR STARTING CHARACTERISTICS AFTER ADJUSTING THE GAP. THE MOTOR SHOULD START QUICKLY. IF NOT, INCREASE THE AIR GAP.



THIS MATERIAL IS PROPERTY OF DINGS COMPANY. NO RIGHTS ARE GRANTED TO USE SUCH MATERIAL FOR ANY PURPOSE OTHER THAN (1) PRODUCT EVALUATION OR MAINTENANCE OR (2) THE FURNISHING OF SERVICES AND SUPPLIES TO THE DINGS COMPANY.

TITLE OUTLINE DRAWING 40 SERIES - S4012 & S4013	
TOLERANCE UNLESS OTHERWISE NOTED .000 ± .005 FRACTIONS ± .015 .00 ± .010 ANGLES ± 1°	
DRN BY JEBr	GRD BY
DATE 5-30-06	SCALE FULL

A	1768	7-17-98	RM	ADDED AIR GAP TO TABLE	REFER TO CAD FILE: K040054	DRAWING NO. K040054	REV. NO.
REV	CHG#	DATE	BY	REVISION			