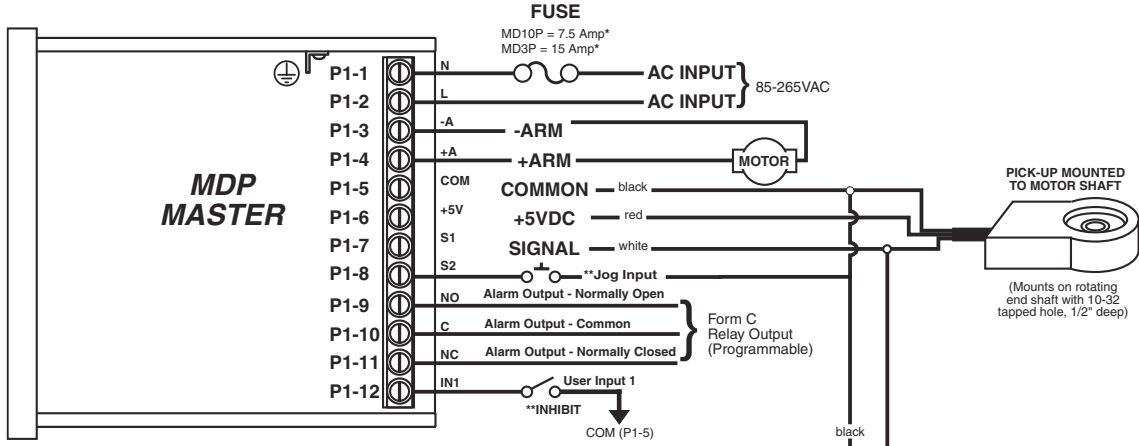
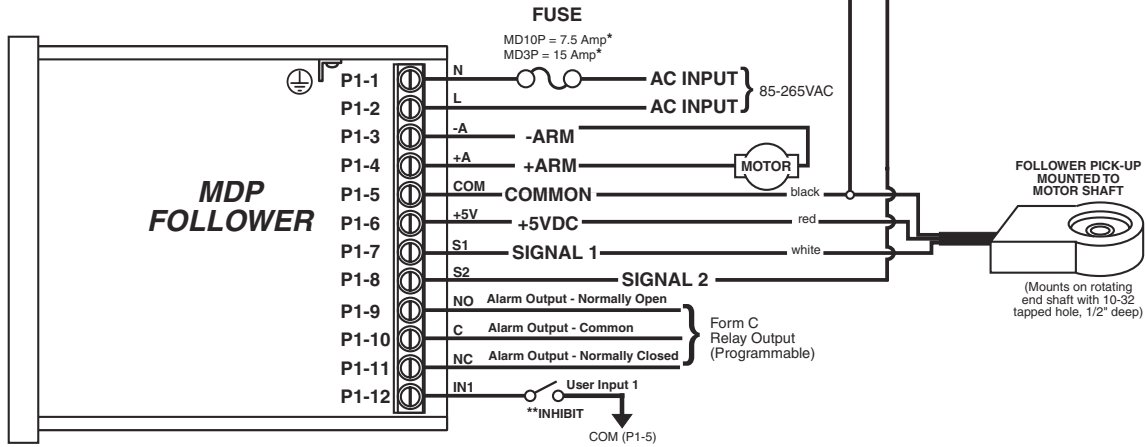


# MDP Hook-Up Diagrams

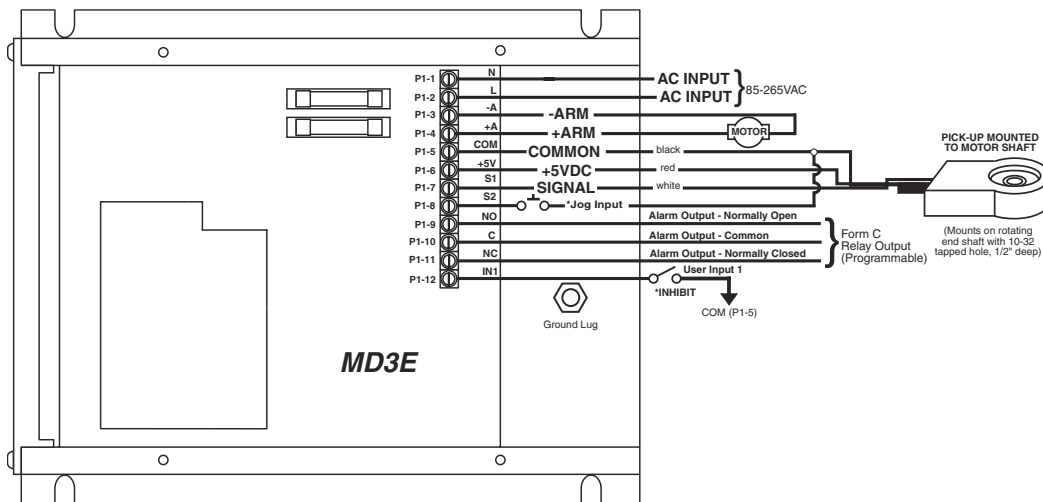
## P1 Terminal Block Hook-Up Diagrams



\* For AC inputs utilizing two hot lines, both inputs should be protected with appropriately sized fuses or circuit breakers.  
 \*\* P1-8 & P1-12 user input may be programmed for a number of functions. Including (jog, inhibit, etc.)



\* For AC inputs utilizing two hot lines, both inputs should be protected with appropriately sized fuses or circuit breakers.  
 \*\* P1-8 & P1-12 user input may be programmed for a number of functions. Including (jog, inhibit, etc.)



\* P1-8 & P1-12 user input may be programmed for a number of functions. Including (jog, inhibit, etc.)