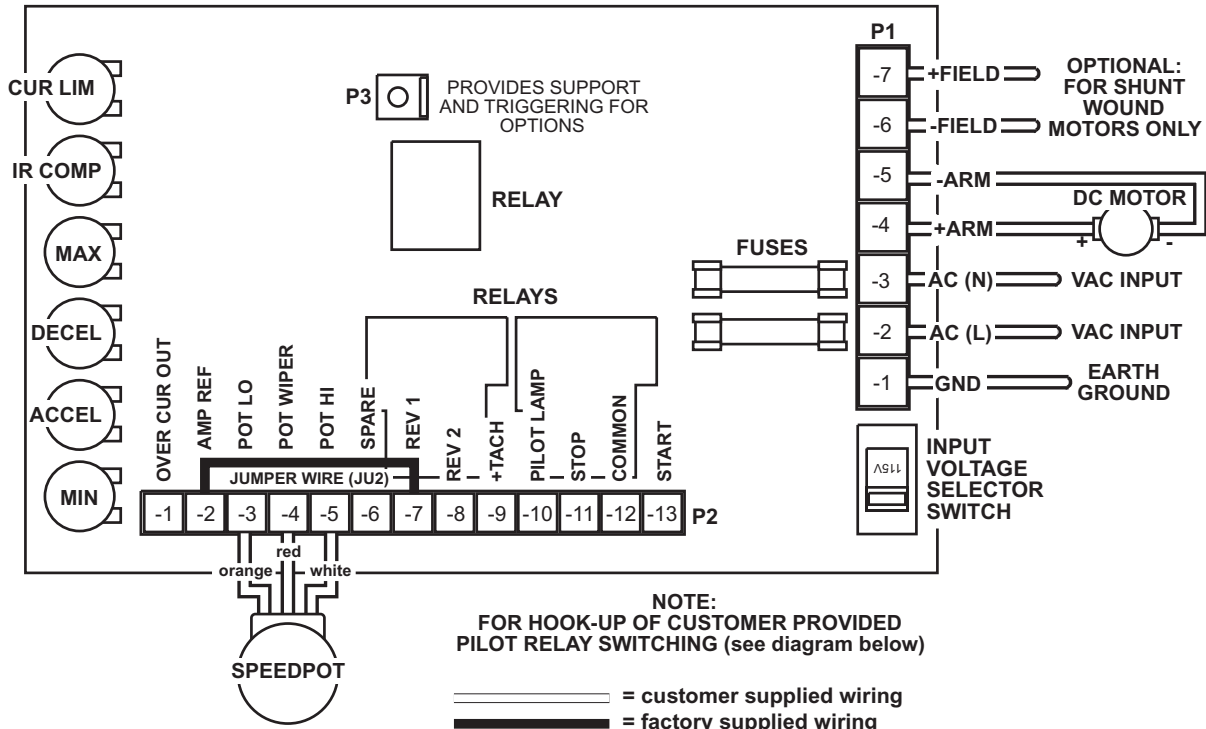
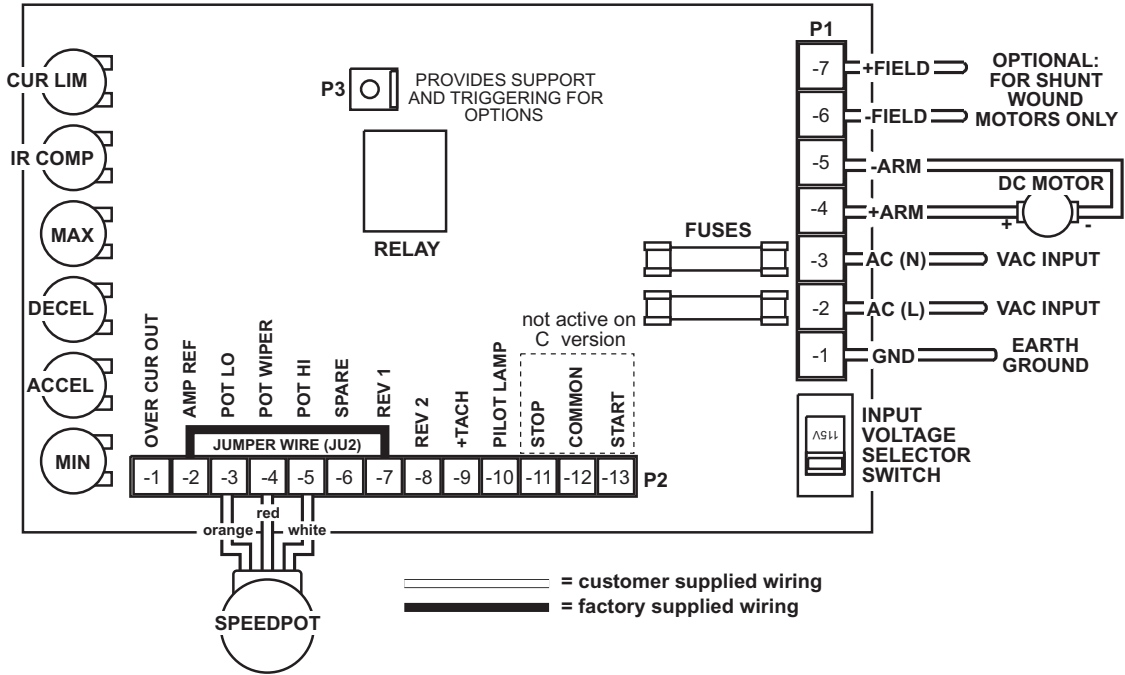


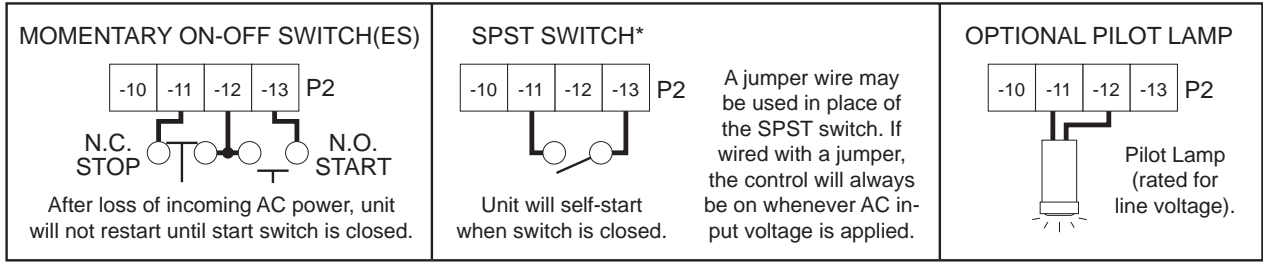
# 530B BASIC HOOK-UP DIAGRAMS WITHOUT OPTIONS

(If options are included on your control, see the option section of the manual).



# PILOT RELAY SWITCHING

(Customer supplied wiring for the "530BRC" version)



## Model 530BRE ("RE Version")

