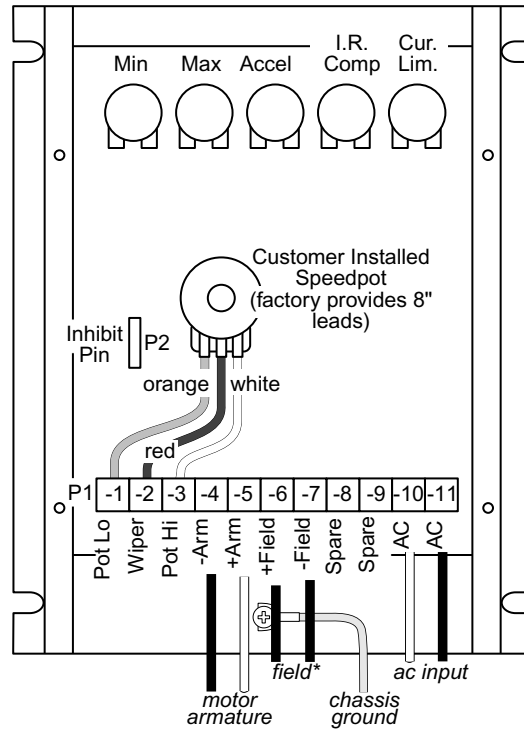


250G Hook-Up Diagram

Chassis



Enclosed

